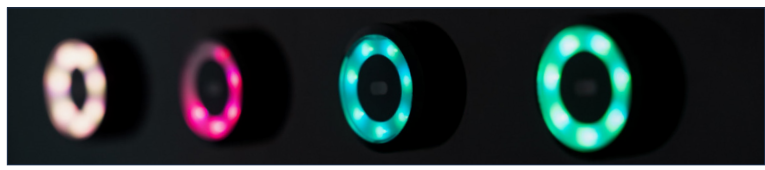
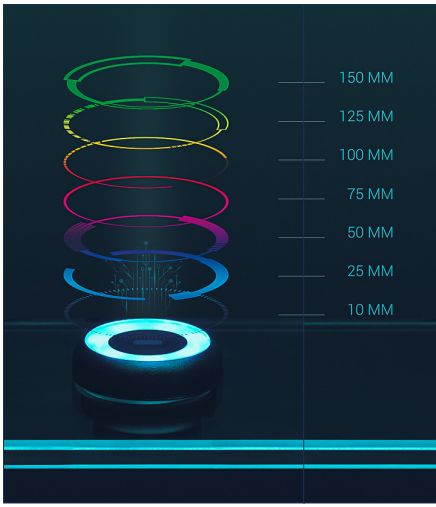


TKO-Smart-001-Case-NO-PF-001



PRODUCT FEATURES

- Particularly suitable for use in hygiene-sensitive areas
- Can be operated without touching
- Push-button functions wear-free as there are no moving parts
- Function control by means of integrated micro-controller
- 3 states signalled by lighting (standard values)
- The illumination colour of the RGB LEDs and the characteristics of the switching output can be adjusted via software (USB).
- Standard installation dimension 22.3 mm / thread M22x1
- Output potential-free contact
- The parameters of the switching output can be adjusted via software (Micro-USB)
- CE-compliant according to EN 50581:2013

SPECIFICATION

HOUSING:

Height (with connection): 43 mm
 Head diameter: 30 mm
 Colour: anthracite
 Material: PC/ABS
 Diameter of front screen: 25 mm
 Material: PMMA

ILLUMINATION (STANDARD):

RGB LED ring lighting
 Standby blue dimmed
 Approach blue 100%
 Trigger green 100%

SWITCHING PARAMETERS (STANDARD):

Type NO, non-latching (push-button)
 Activation threshold d_{act} approx. 150 mm
 Switch-on threshold d_{on} approx. 20mm
 Switch-off threshold d_{off} approx. 50mm

Switch-on delay t_{on} 100 ms
 Switch-off delay t_{off} 100 ms
 Output hold time t_{hold} infinite

ELECTRICAL PARAMETERS:

Operating voltage: 9 - 24 V DC
 Current demand (max): 50 mA (24 V DC; white 100%)
 Switching output: potential-free contact
 - Max. voltage/current: 36 V DC / 50 mA
 Operating temperature: -20 °C to +70 °C
 Storage temperature: -40 °C to +80 °C

OTHERS:

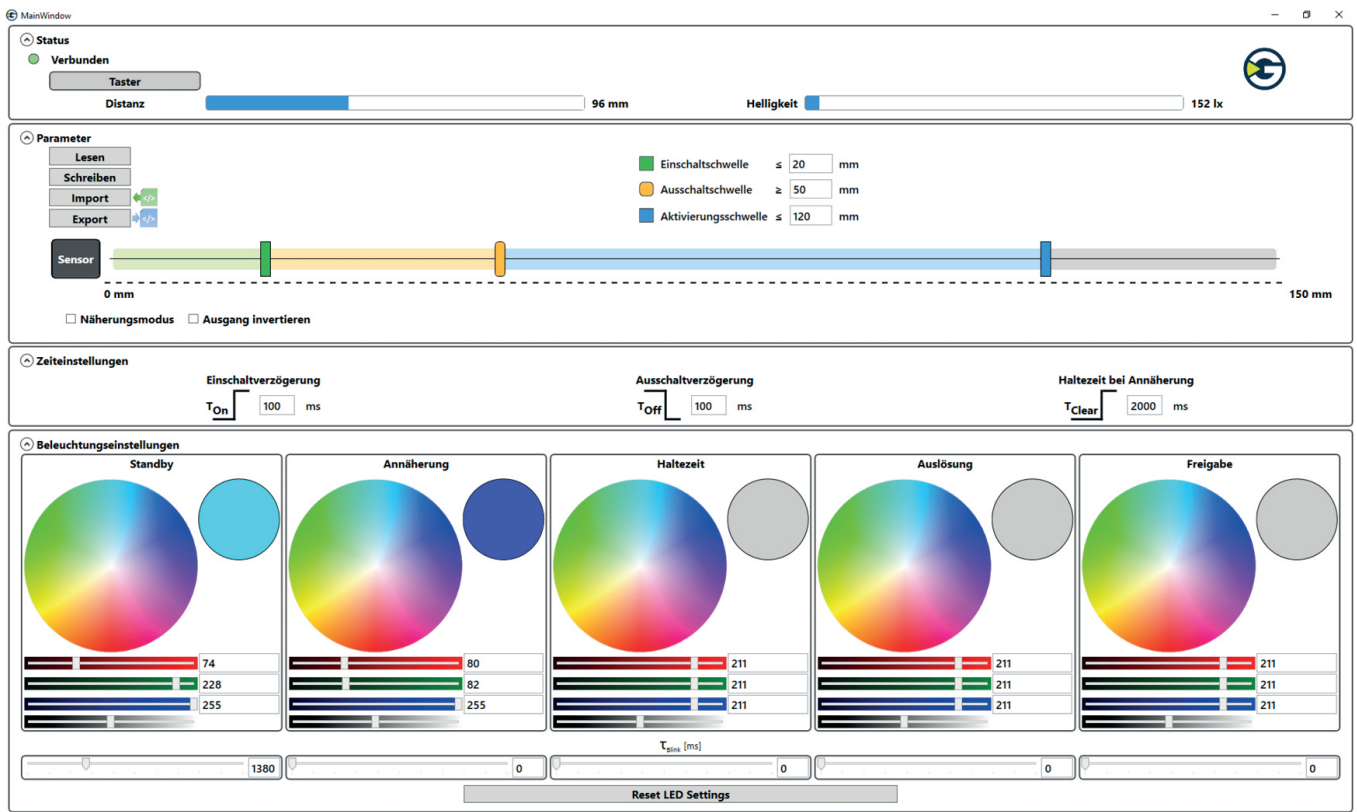
Protection class: IP65 (at the front)
 Contacting: 4 terminal lugs flat plug
 2.8 x 0.51 mm (assignment visible on housing)
 Weight: apr. 15 g

Änderungen und Irrtümer vorbehalten!

ORDER INFORMATION

Art.No.	Product description	Output	Included accessories
KO28010	TKO-Smart-001-Case-NO-PF-001	potential-free	Fixing nut and cable
RK29000	Parameteranpassung für optischen Taster		
SW29000	Konfigurationssoftware für TKO-Smart-001		
KO29001	Dev-Kit TKO-001-GETT		

CONFIGURATION SOFTWARE

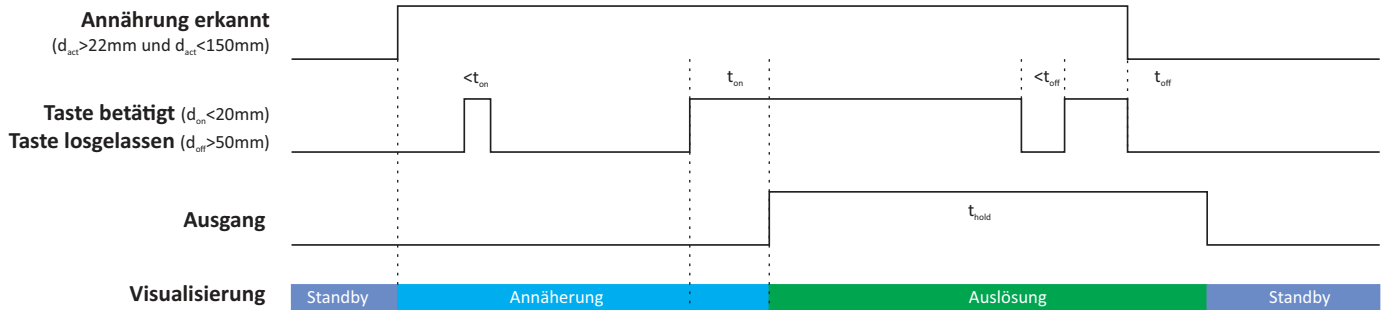


The screenshot shows the configuration software interface with the following sections:

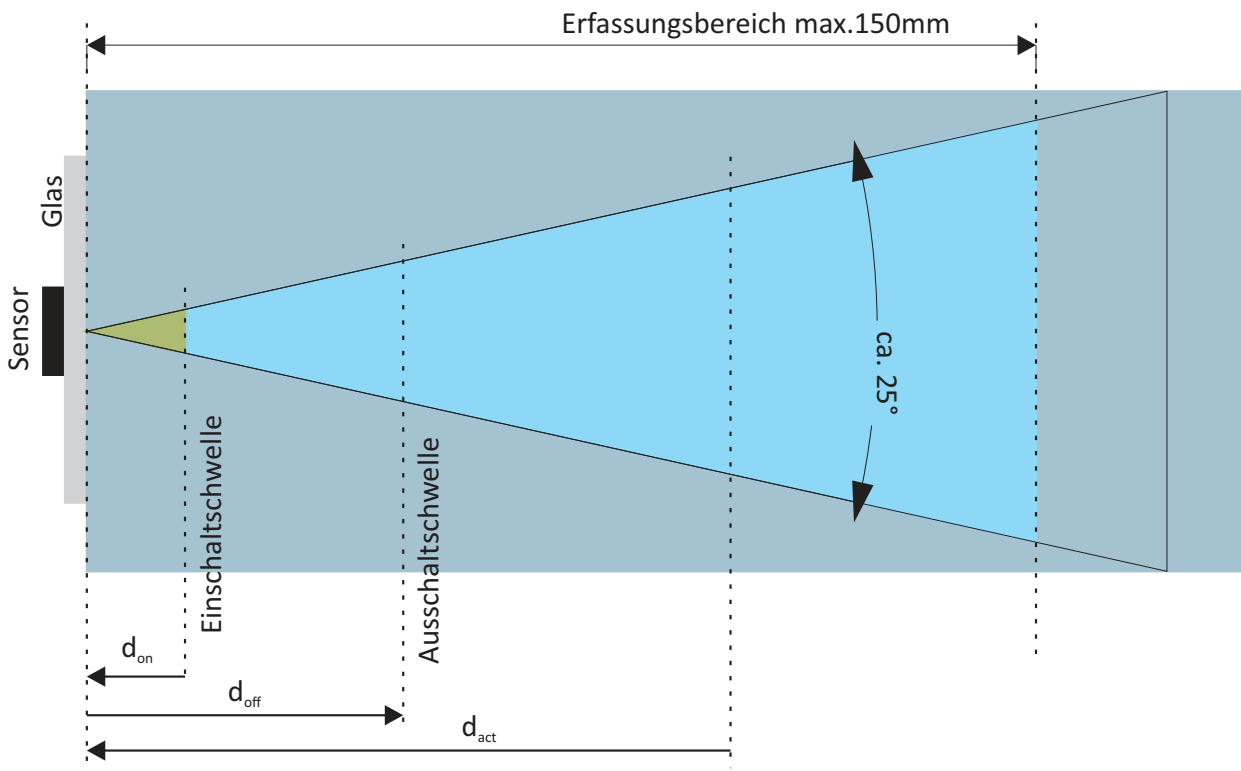
- Status:** Shows 'Verbunden' (Connected) with a 'Taster' (Button) icon. A 'Distanz' (Distance) slider is set to 96 mm and 'Helligkeit' (Brightness) is set to 152 lx.
- Parameter:** Includes buttons for 'Lesen', 'Schreiben', 'Import', and 'Export'. A 'Sensor' diagram shows three thresholds: 'Einschaltswelle' (≤ 20 mm), 'Ausschaltswelle' (≥ 50 mm), and 'Aktivierungsschwelle' (≤ 120 mm). A 'Sensor' slider is set to 0 mm. Checkboxes for 'Näherungsmodus' and 'Ausgang invertieren' are present.
- Zeiteinstellungen (Timing Settings):**
 - Einschaltverzögerung (T_{On}): 100 ms
 - Ausschaltverzögerung (T_{Off}): 100 ms
 - Haltezeit bei Annäherung (T_{Clear}): 2000 ms
- Beleuchtungseinstellungen (Lighting Settings):** Five circular color wheels for 'Standby', 'Annäherung', 'Haltezeit', 'Auslösung', and 'Freigabe'. Each wheel has associated color bars and values:
 - Standby: 74, 228, 255
 - Annäherung: 80, 82, 255
 - Haltezeit: 211, 211, 211
 - Auslösung: 211, 211, 211
 - Freigabe: 211, 211, 211

Änderungen und Irrtümer vorbehalten!

SWITCHING DIAGRAM



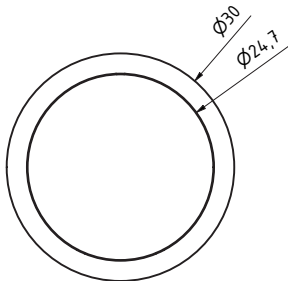
Proximity detection range



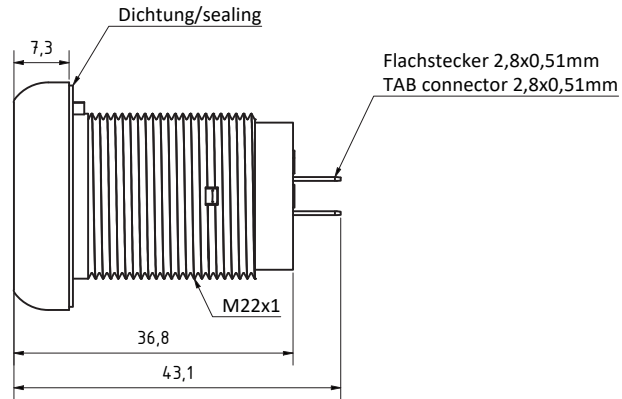
Änderungen und Irrtümer vorbehalten!

TECHNICAL DRAWINGS

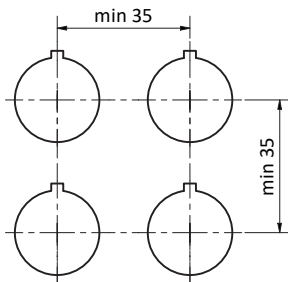
Frontansicht/front view



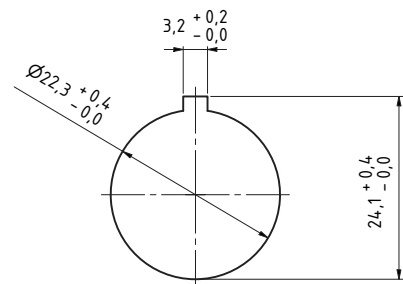
Seitenansicht/side view



Anordnung/arrangement



Einbaumaße/dimensions



Rückansicht/back view

