

AD/BOARD		MODEL	OF0706			泓瑜科技有限公司 WINSONIC TECH. CO., LTD.				
INVERTER		PART NO.				PART NAME	ASSEMBLY		⊕	⚠
KEY PAD		VERSION	MATERIAL	DATE		APPROVED	DRAWN	Jack	SCALE	1.000
PANEL:	V1		METAL	2012-Mar-13					NUIT	MM

1

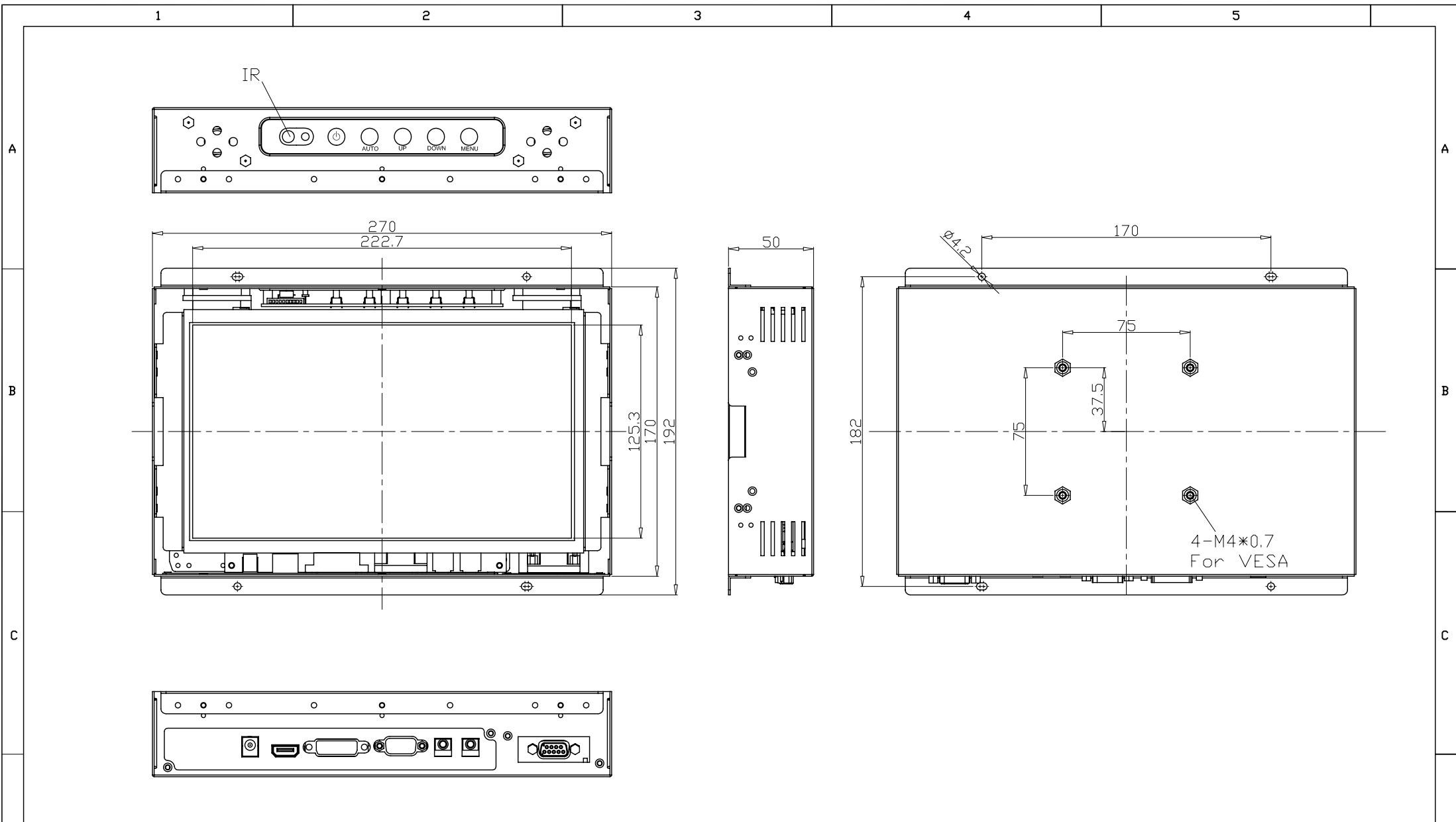
2

3

4

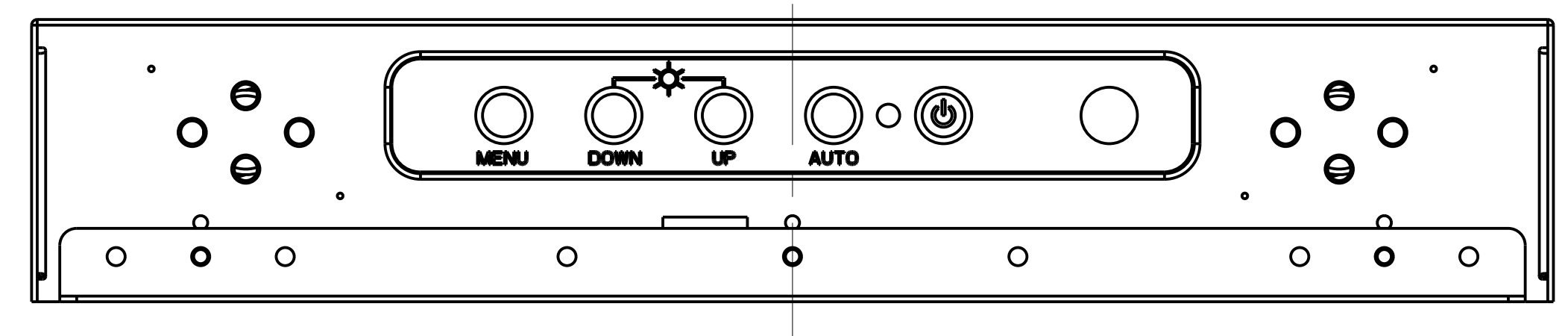
5



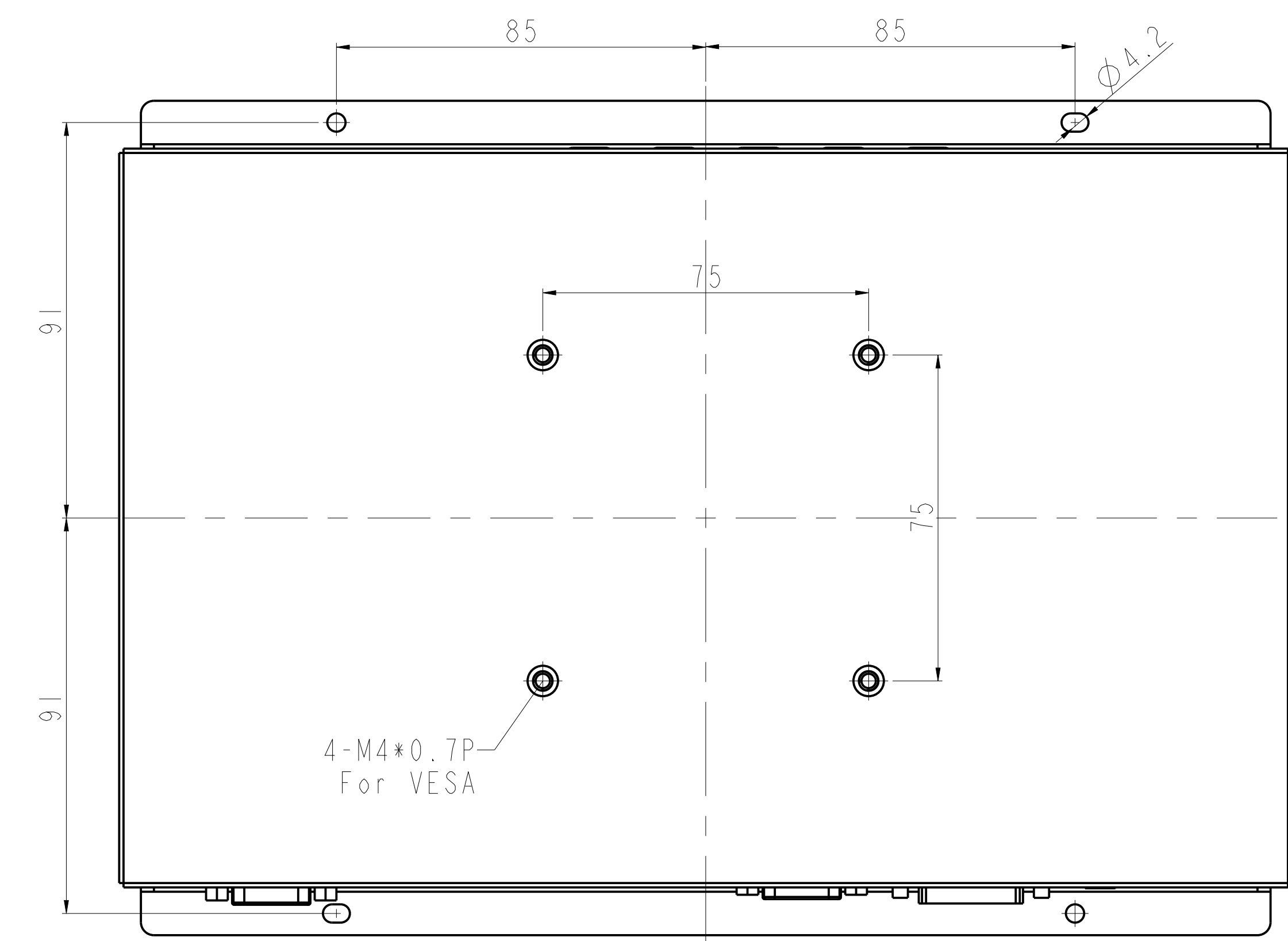
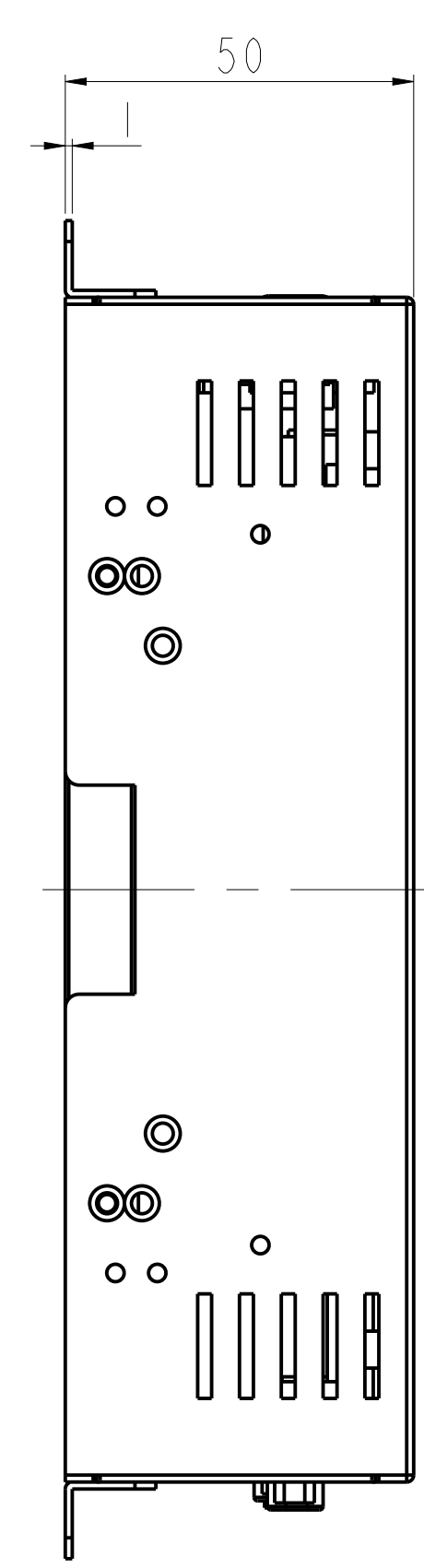
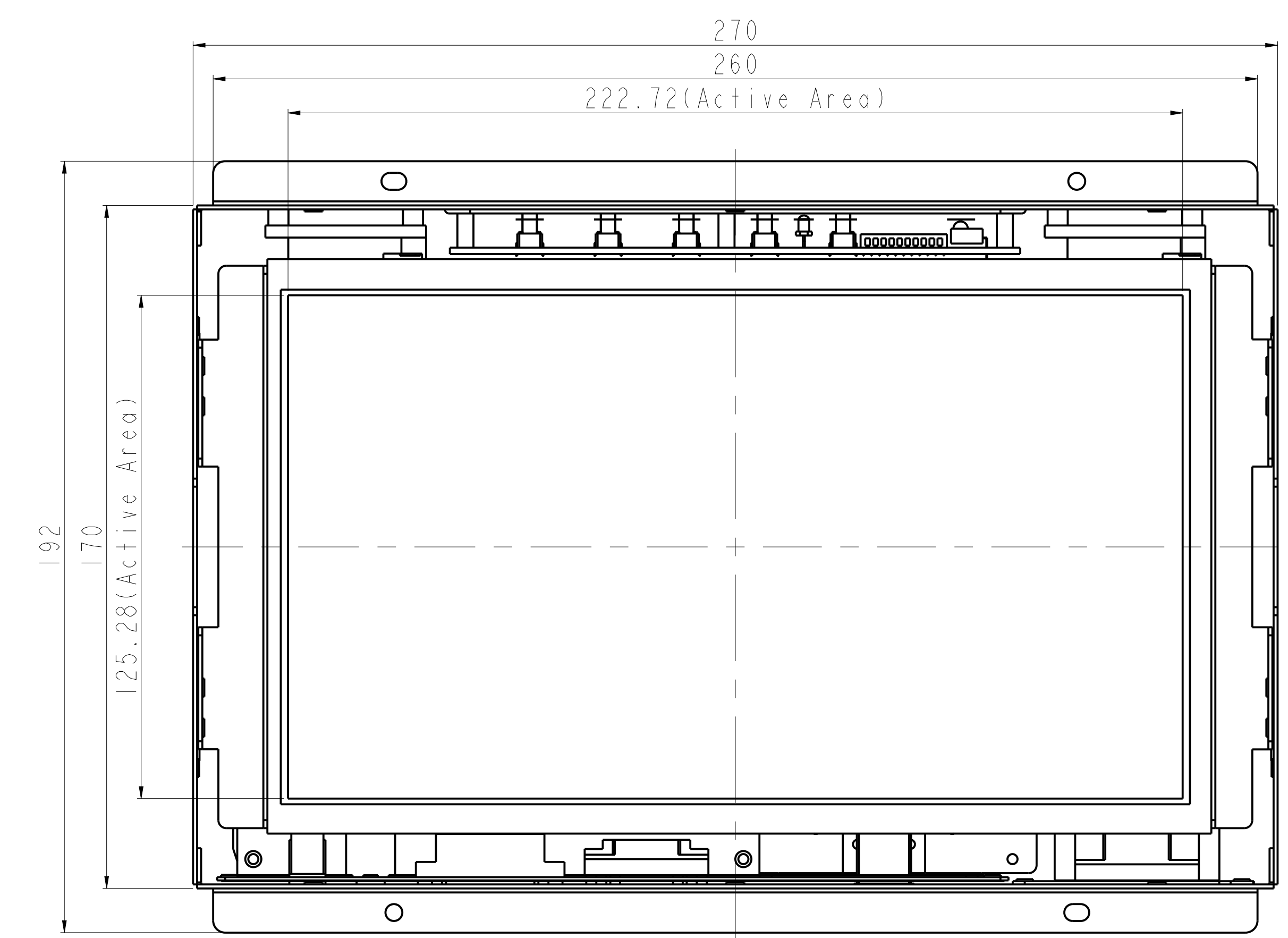


AD/BOARD		MODEL	OF1016	<b>泓瑜科技有限公司</b> <b>WINSONIC TECH. CO., LTD.</b>					
INVERTER		PART NO.						PART NAME	assembly
KEY PAD		MATERIAL	DATE	2010-01-22	APPROVED	DRAWN	JACK	UNIT	MM
PANEL:	CMO-N101L6-L03								

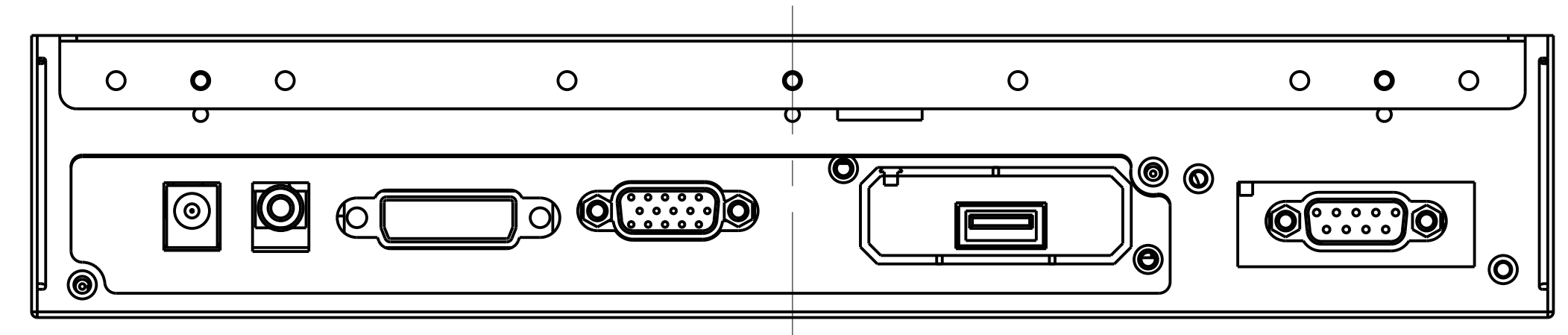
A



B

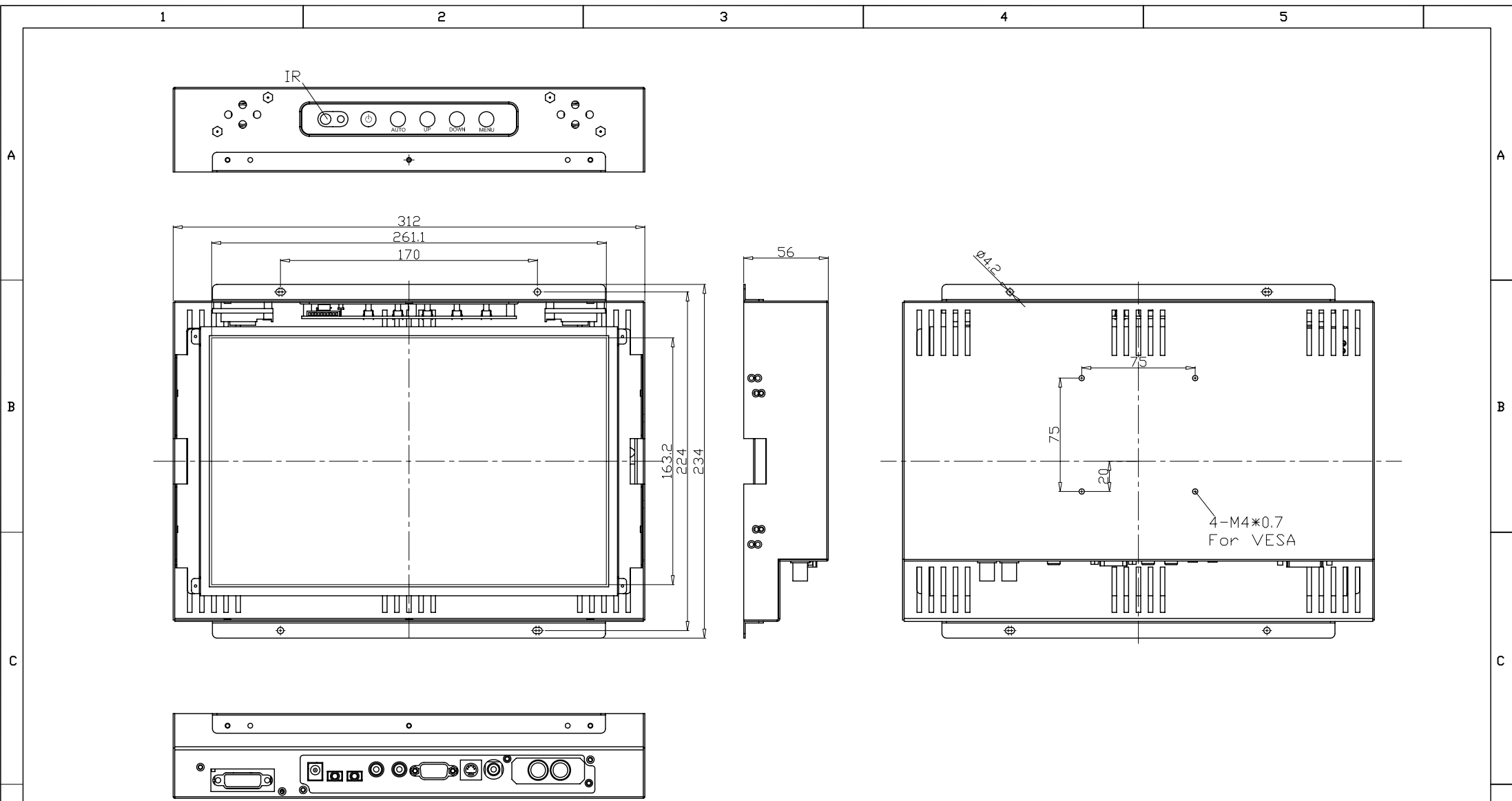


C

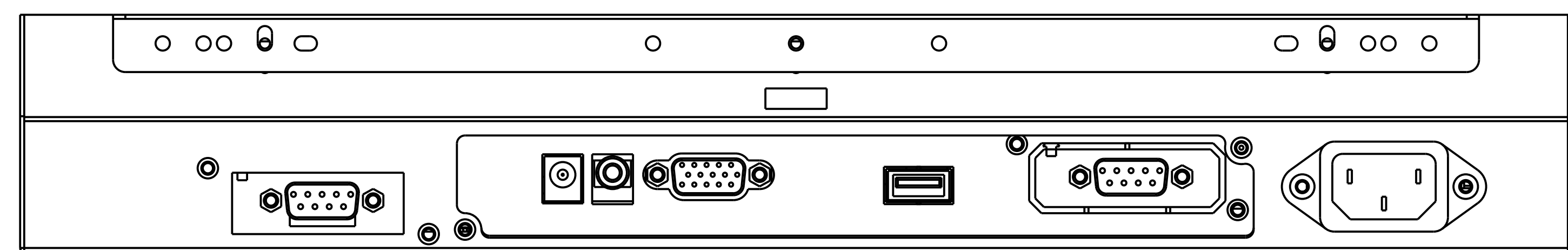
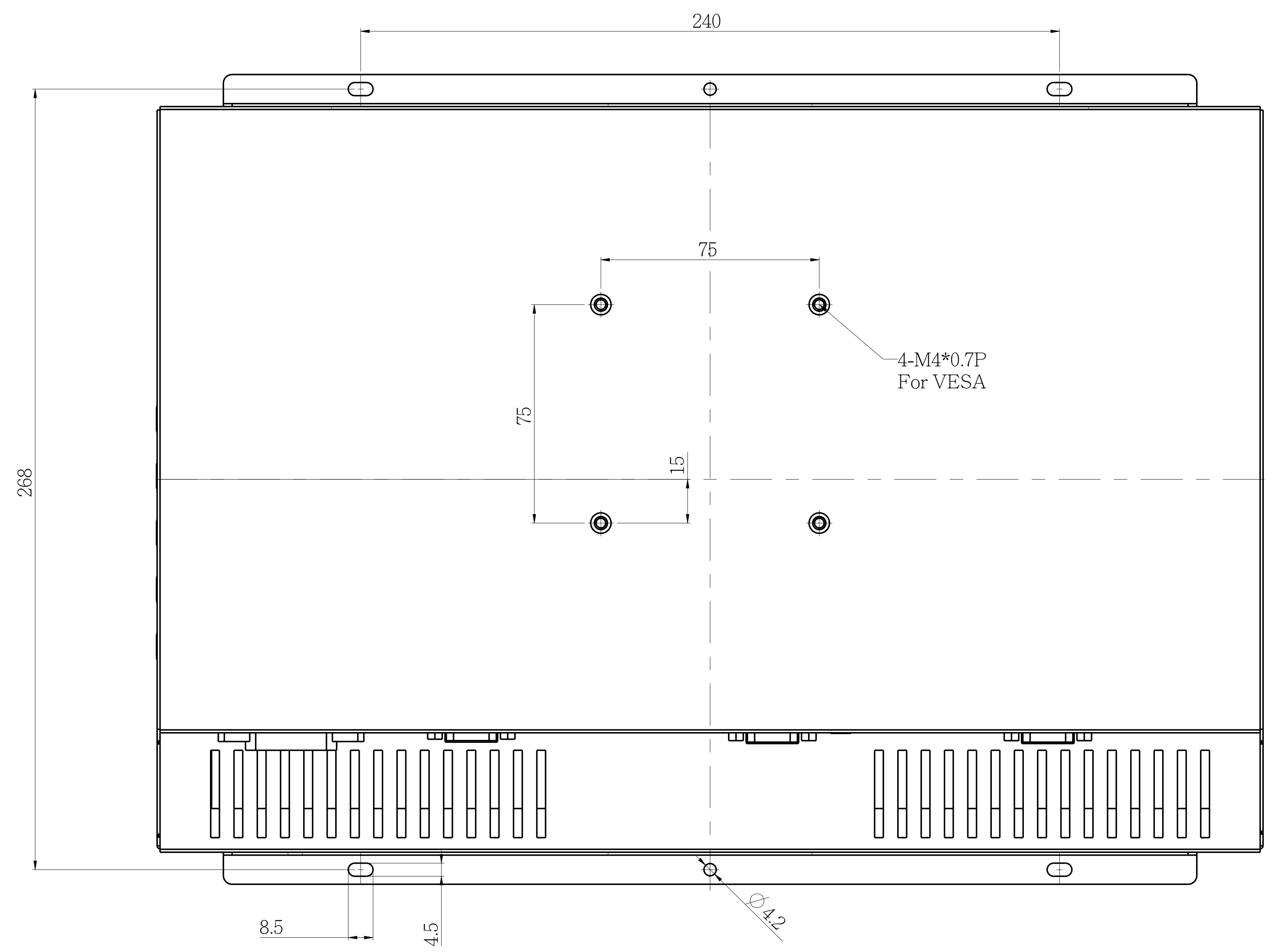
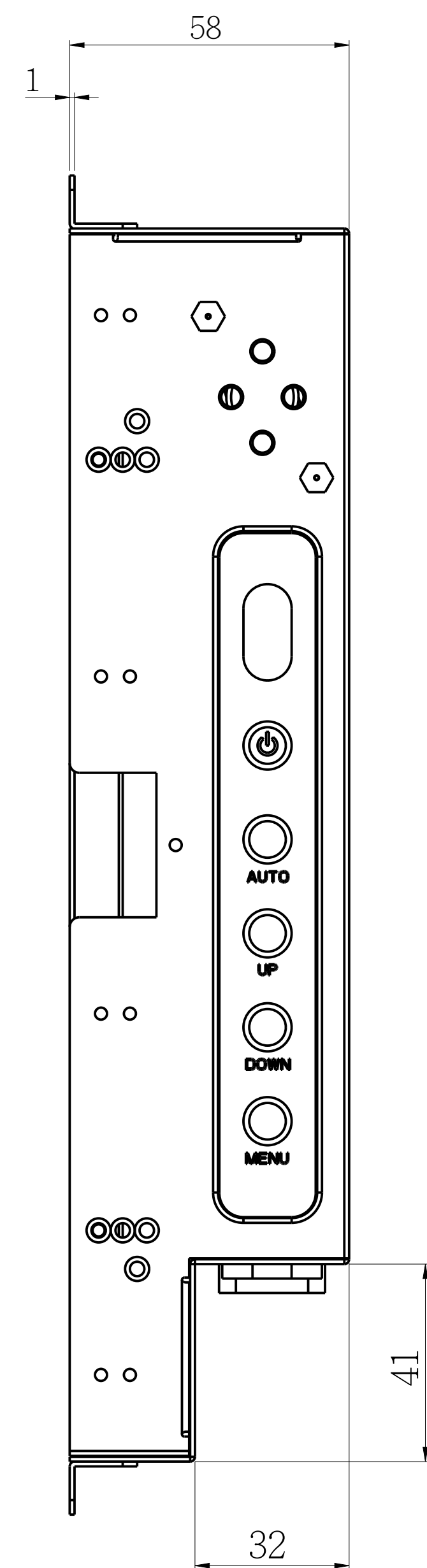
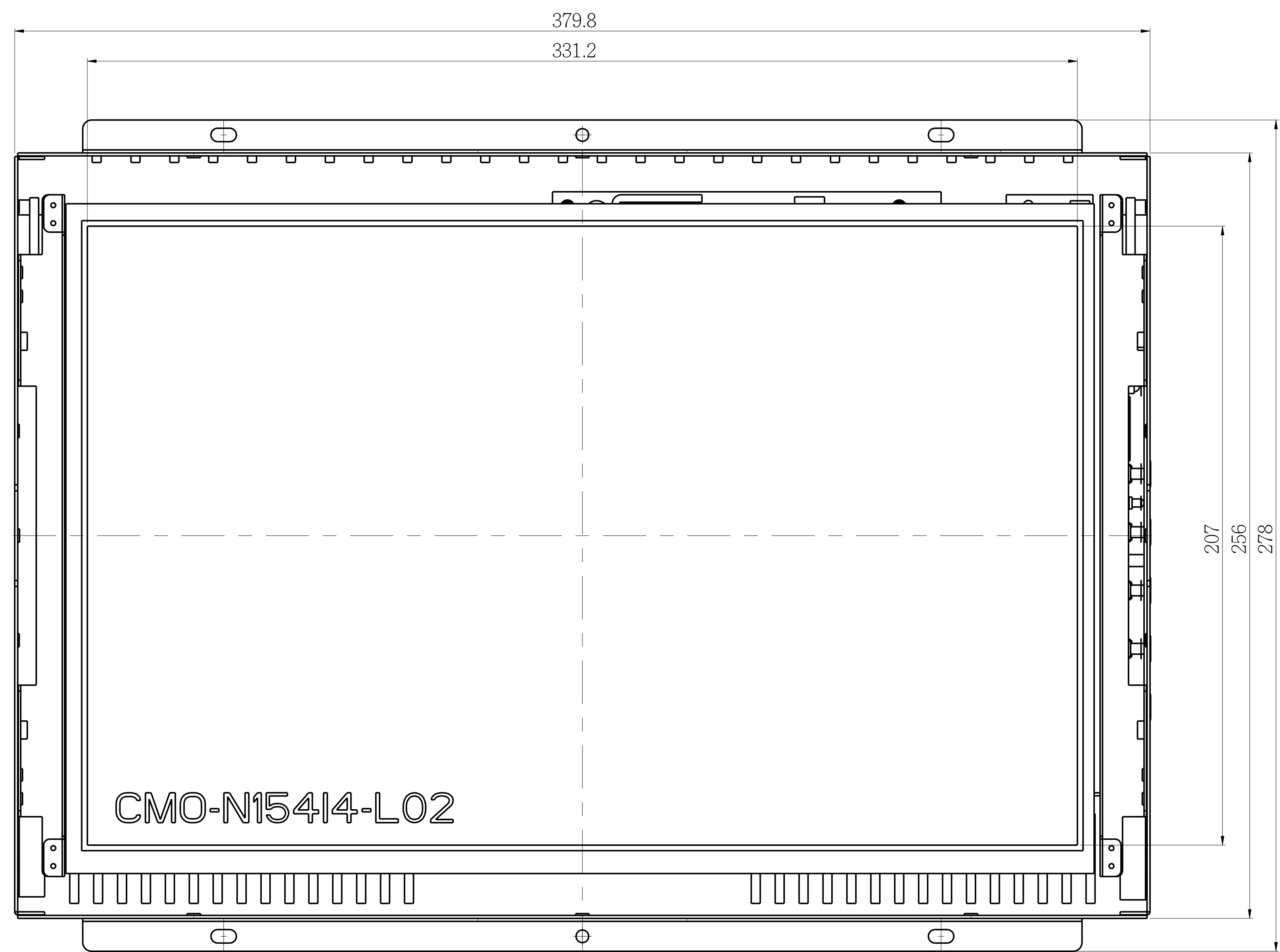


D

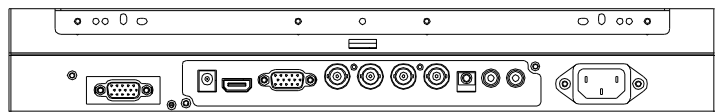
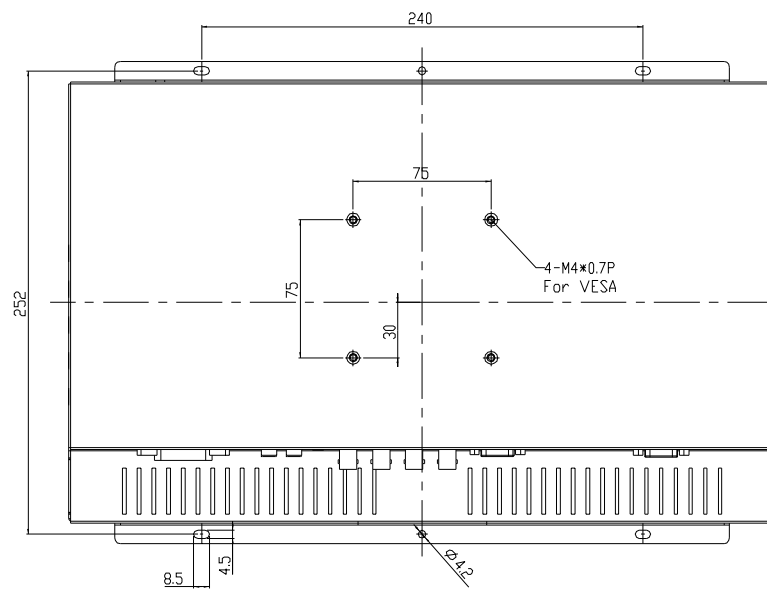
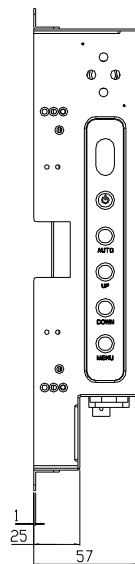
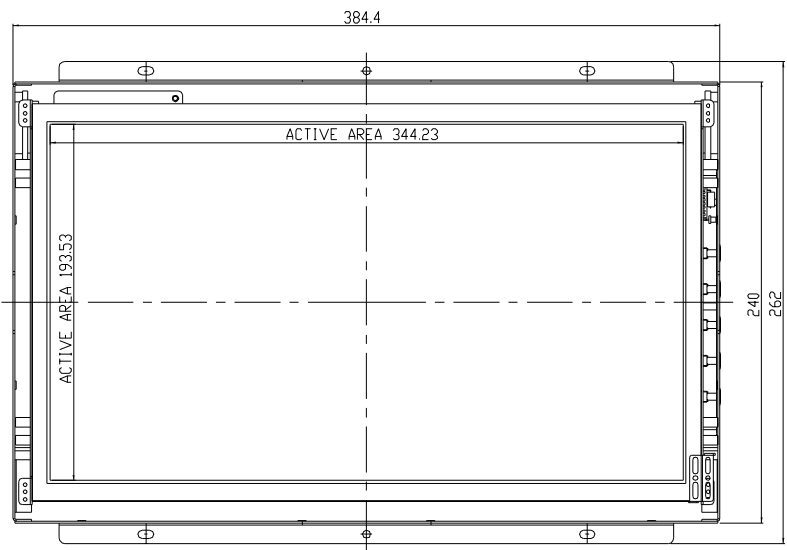
AD/BOARD		MODEL	OF1016-WSVGA			Winsonic Electronics. Co., Ltd.				
INVERTER										
KEY PAD										
PANEL :	VERSION	MATERIAL	METAL	DATE	2013-Oct-07	PART NAME	ASSEMBLY			
	V1					APPROVED	DRAWN	Chris	SCALE	1.000
									UNIT	MM



AD/BOARD		MODEL	OF12W5		<b>泓瑜科技有限公司</b> <b>WINSONIC TECH. CO., LTD.</b>				
INVERTER		PART NO.							PART NAME
KEY PAD	PCBKEY019A0	MATERIAL	SECC	DATE	03/13/2009	APPROVED		DRAWN	JACK
PANEL:	AU-B121EW02_V1 AU-A121EW02_V0							DWG	SIZE



AD/BOARD		MODEL	OF1545	泓瑜科技有限公司 WINSONIC TECH. CO., LTD.							
INVERTER		PART NO.							PART NAME	ASSEMBLY	
KEY PAD		MATERIAL	METAL	DATE	2012-Mar-13	APPROVED		DRAWN	Jack	SCALE	1.000
PANEL:										UNIT	MM



AD/BOARD		MODEL	OF1565		泓瑜科技有限公司 WINSONIC TECH. CO., LTD.					
INVERTER		PART NO.								
KEY PAD		MATERIAL	METAL	DATE	2012-Feb-10	APPROVED	DRAWN	Jack	UNIT	MM
PANEL:										

1

2

3

4

5

A

B

C

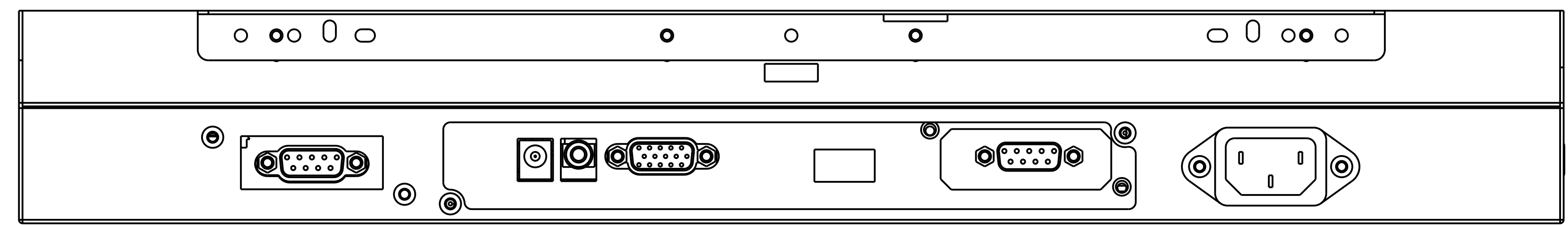
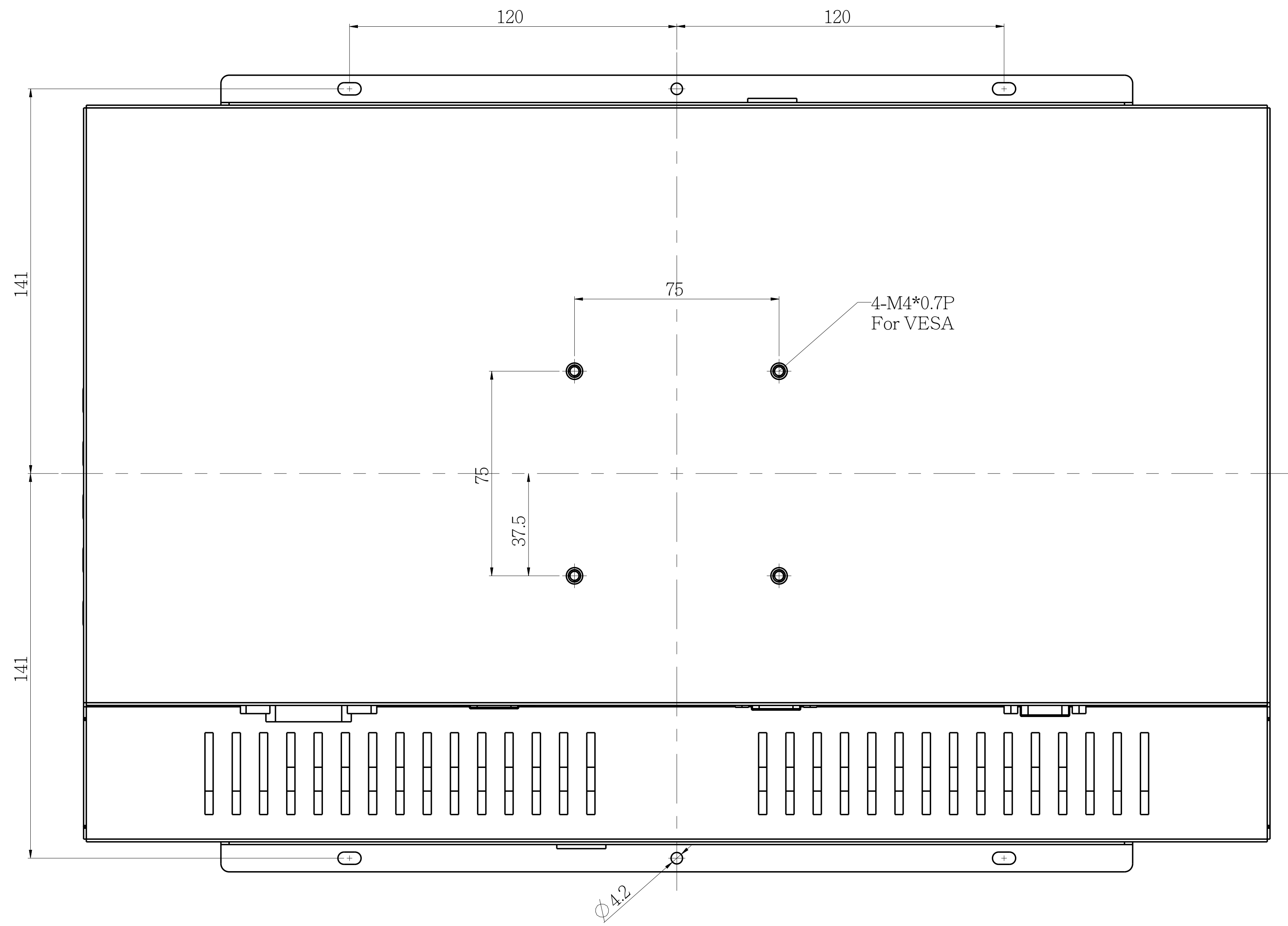
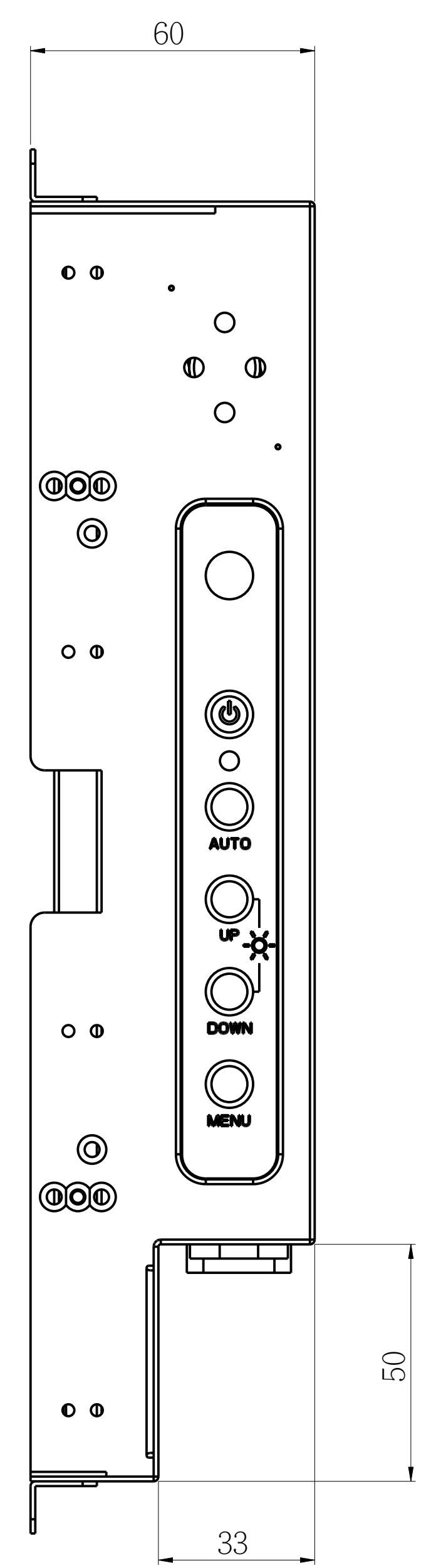
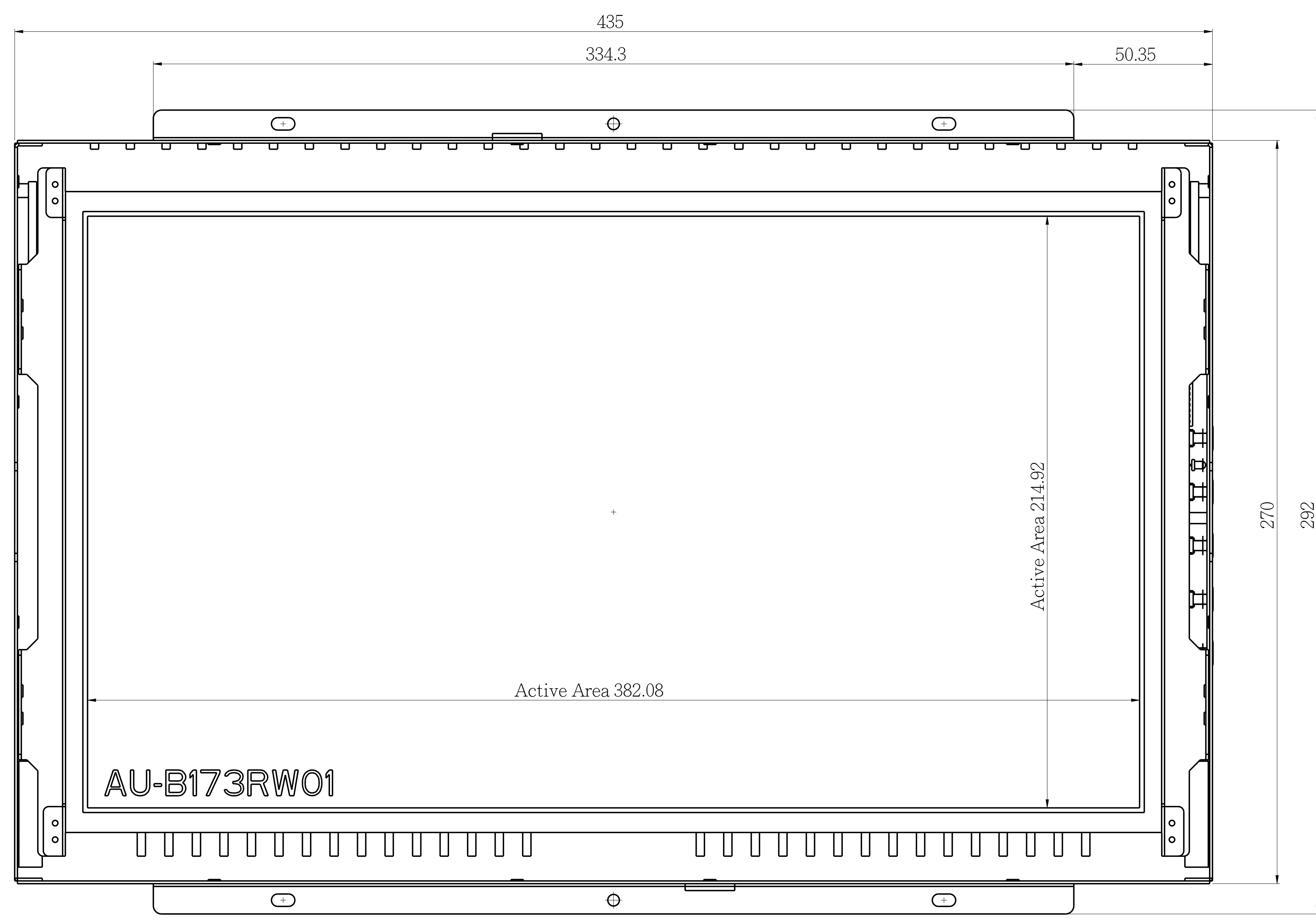
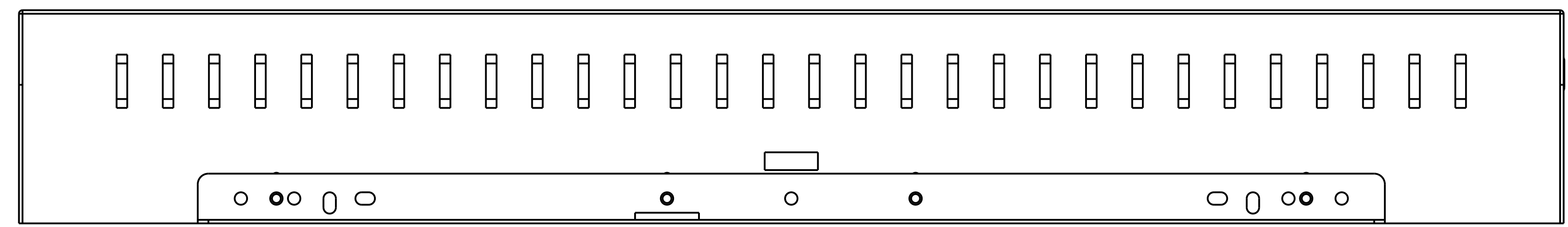
D

A

B

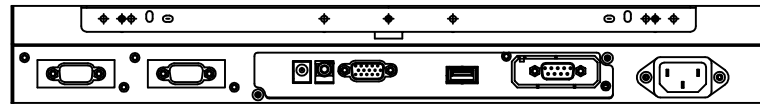
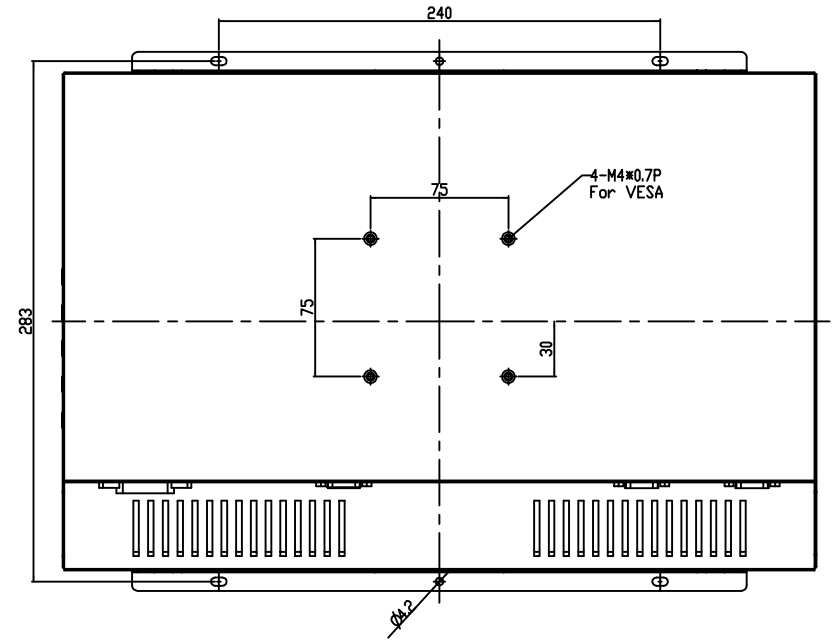
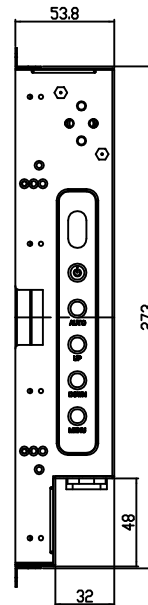
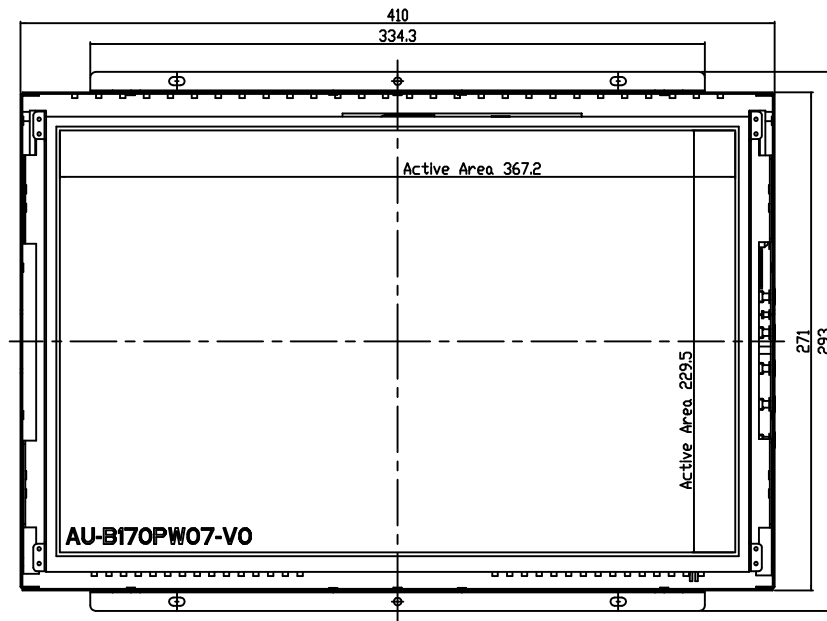
C

D



AD/BOARD		MODEL	OF1735			Winsonic Electronics. Co., Ltd.				
INVERTER										
KEY PAD										
PANEL:	VERSION	MATERIAL	METAL	DATE	2013-Jul-02	PART NAME	ASSEMBLY			
	V1					APPROVED	DRAWN	Jack	SCALE	1.000
								UNIT	MM	





AD/BOARD		MODEL	DF17W5			WINSONIC ELECTRONICS CO., LTD.				
INVERTER										
KEY PAD										
PANEL:	VERSION	MATERIAL	METAL	DATE	2013-Oct-03	PART NAME	ASSEMBLY			
	V1					APPROVED	DRAWN	Jack	SCALE	UNIT

1

2

3

4

5

1 2 3 4 5

A

B

C

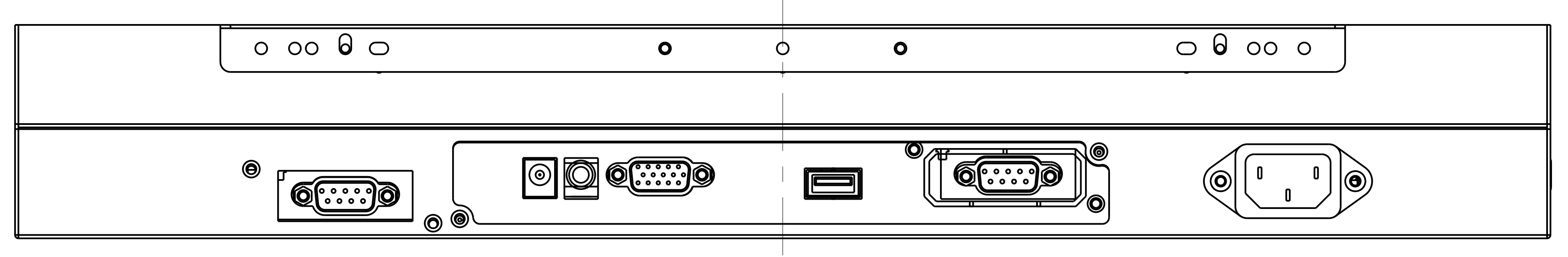
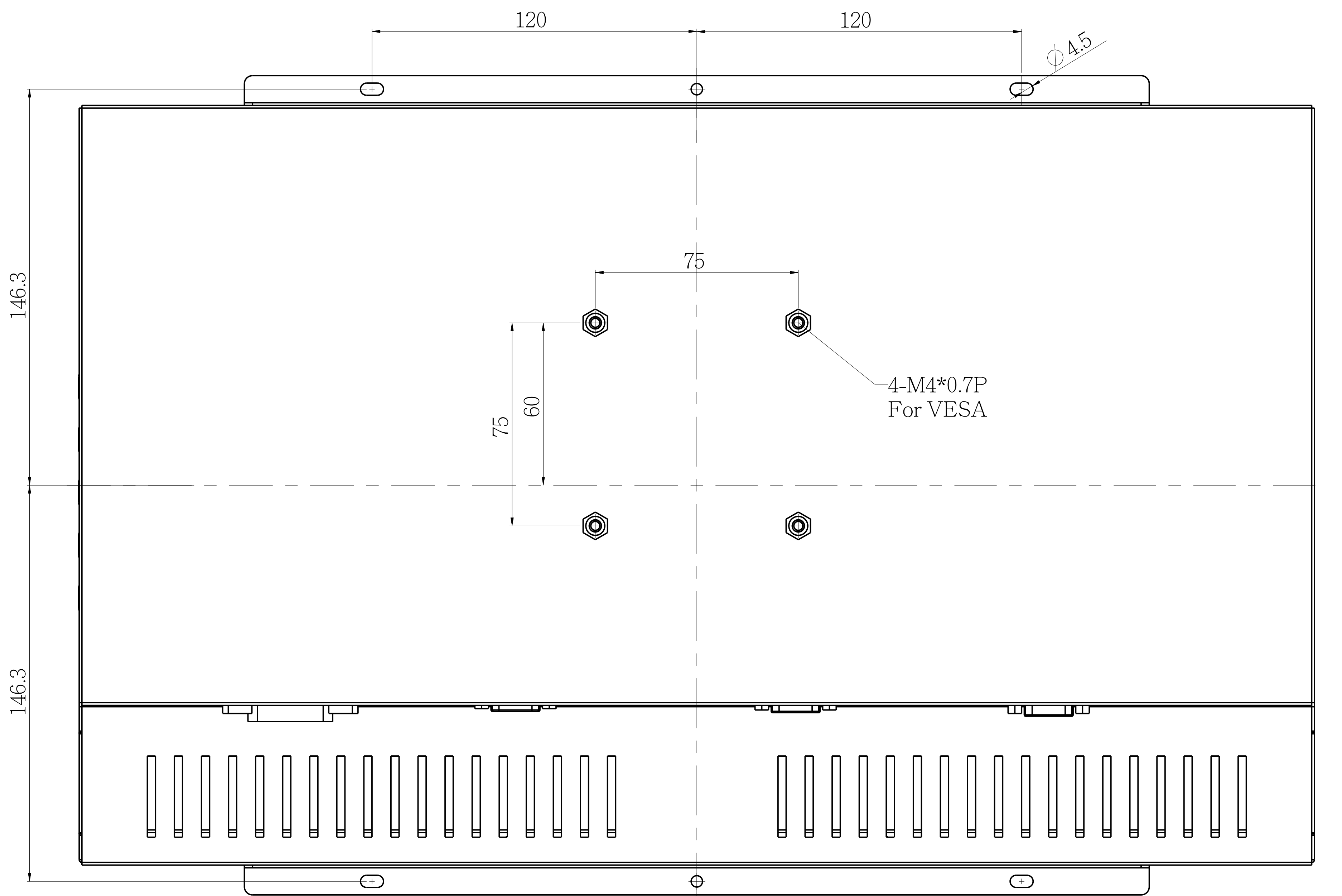
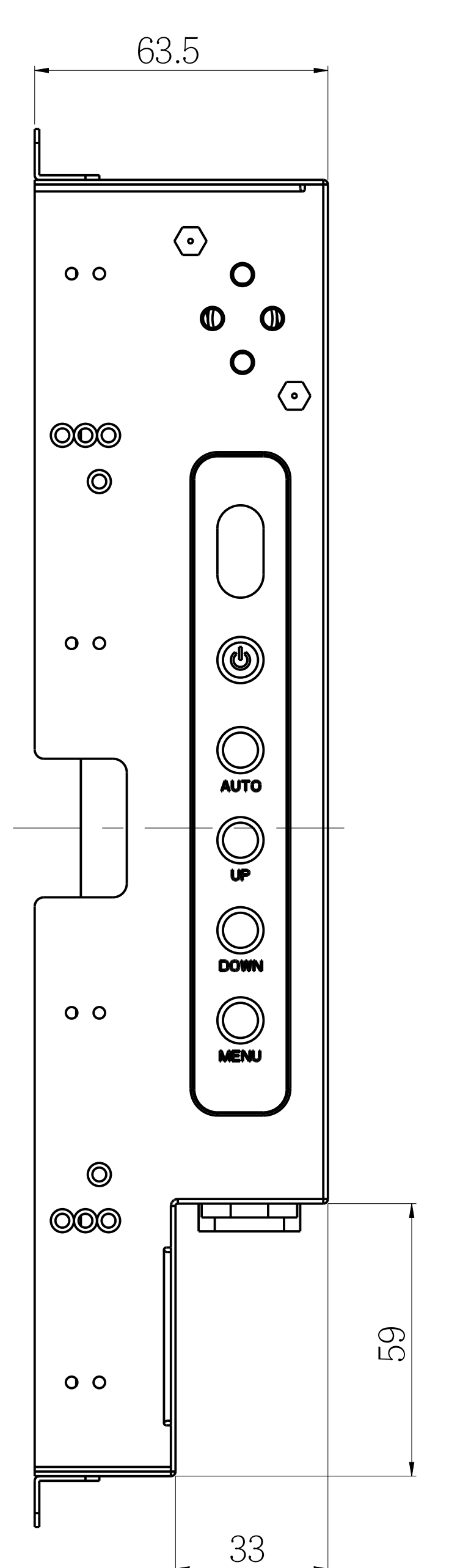
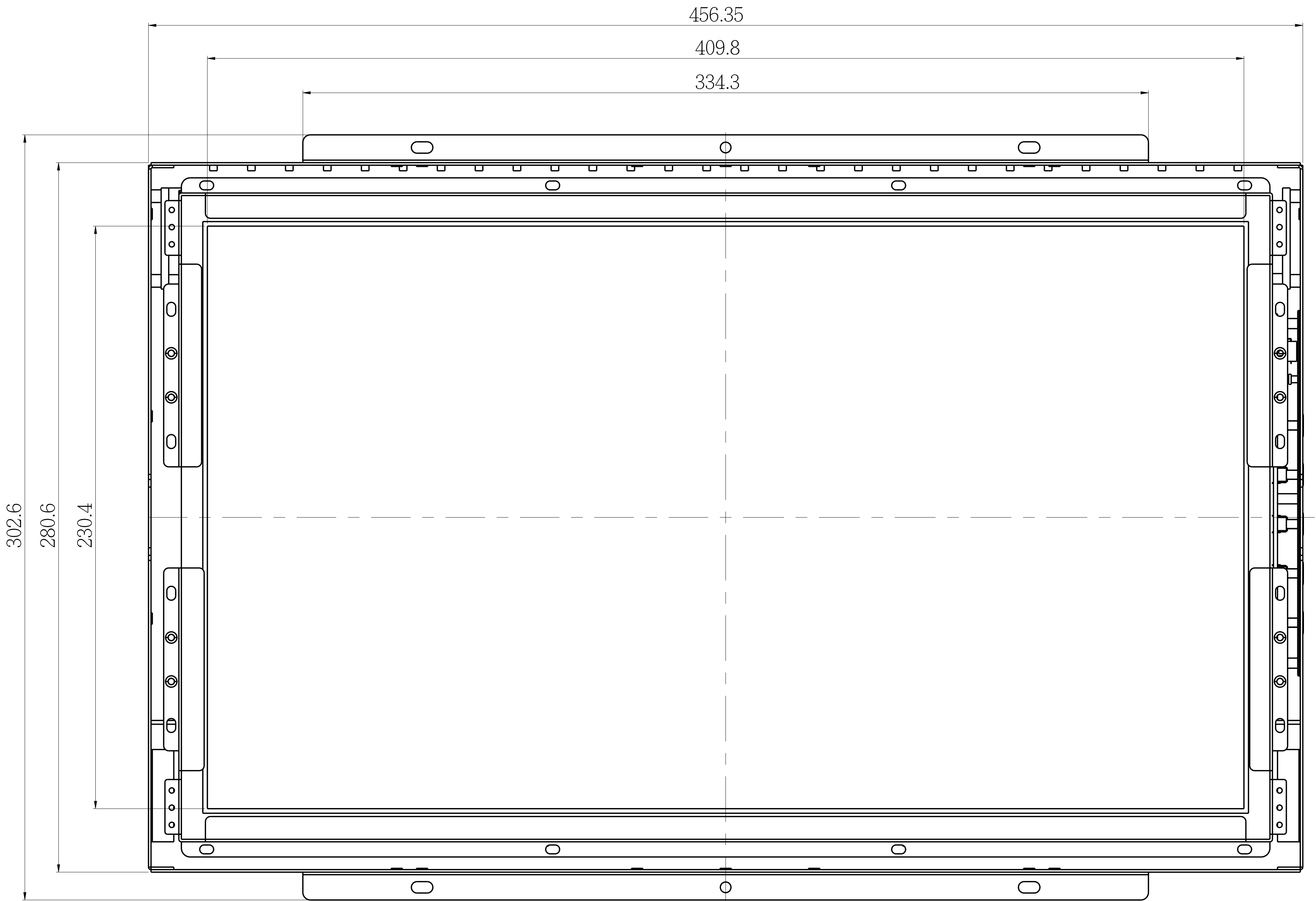
D

A

B

C

D



AD/BOARD		MODEL			OF1855			泓瑜科技有限公司 WINSONIC TECH. CO., LTD.			
INVERTER											
KEY PAD											
PANEL:		VERSION	MATERIAL	METAL	DATE	2012-Apr-09	PART NAME	ASSEMBLY		SCALE 1.000	
		V1					APPROVED	DRAWN	Chris	UNIT MM	

1 2 3 4 5

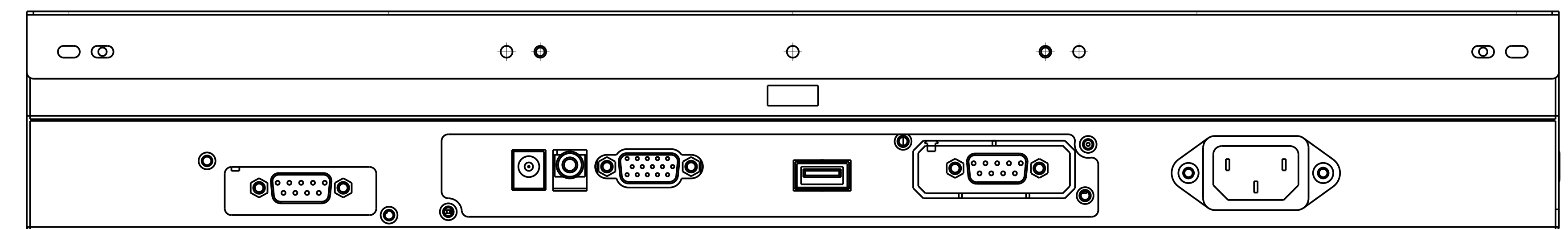
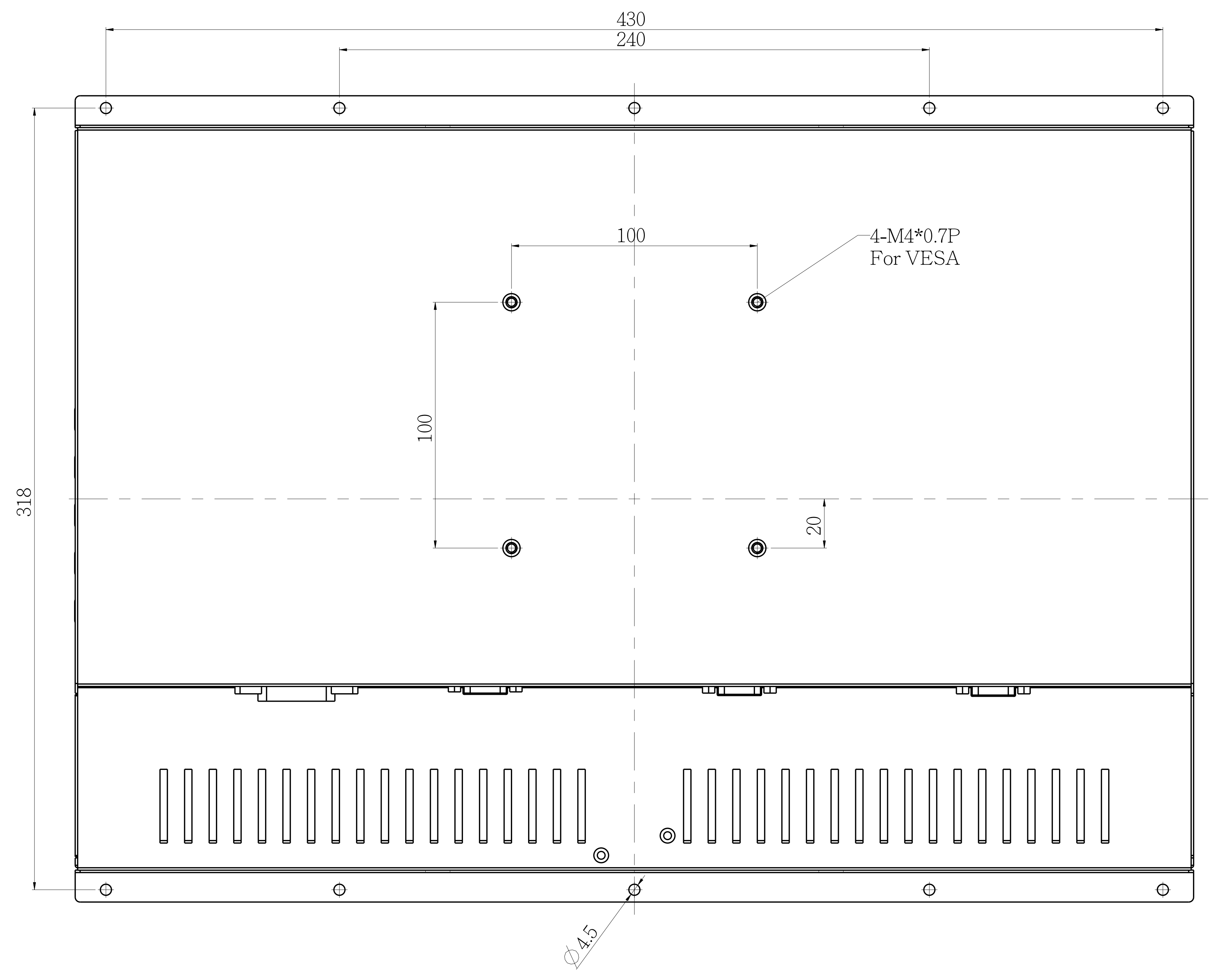
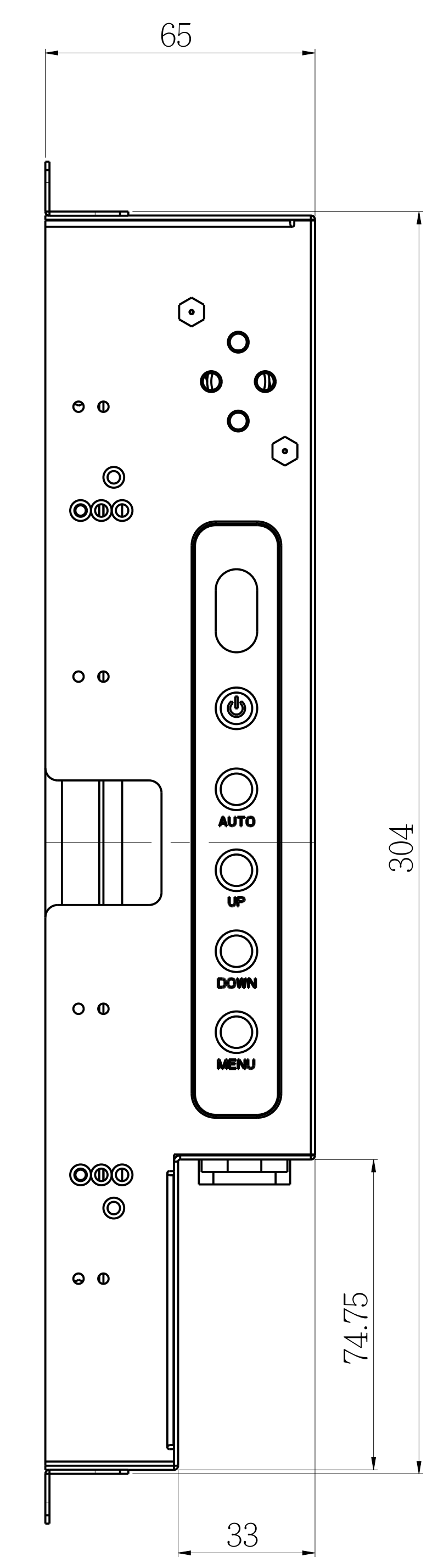
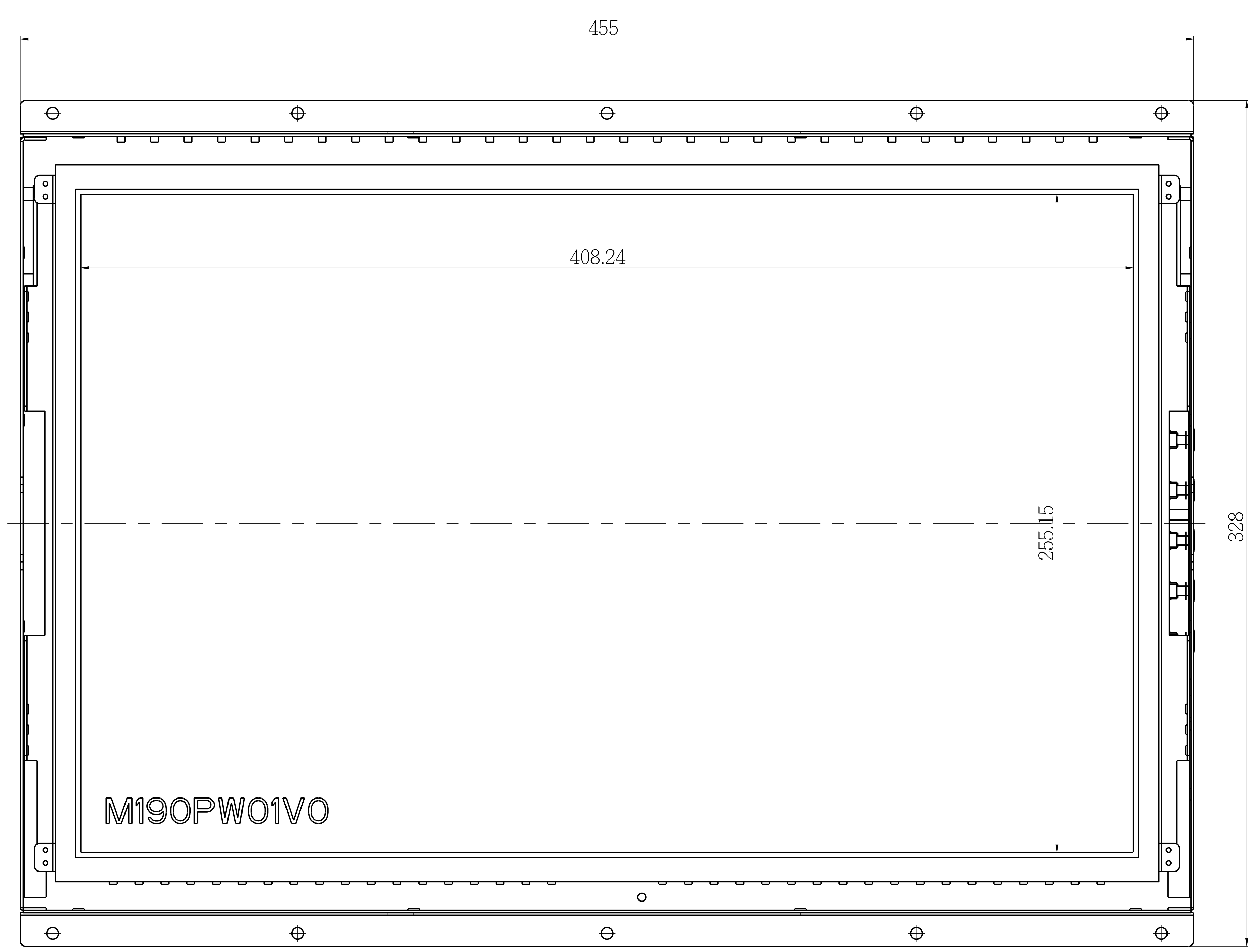
1 2 3 4 5

A

B

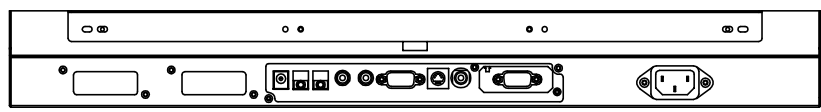
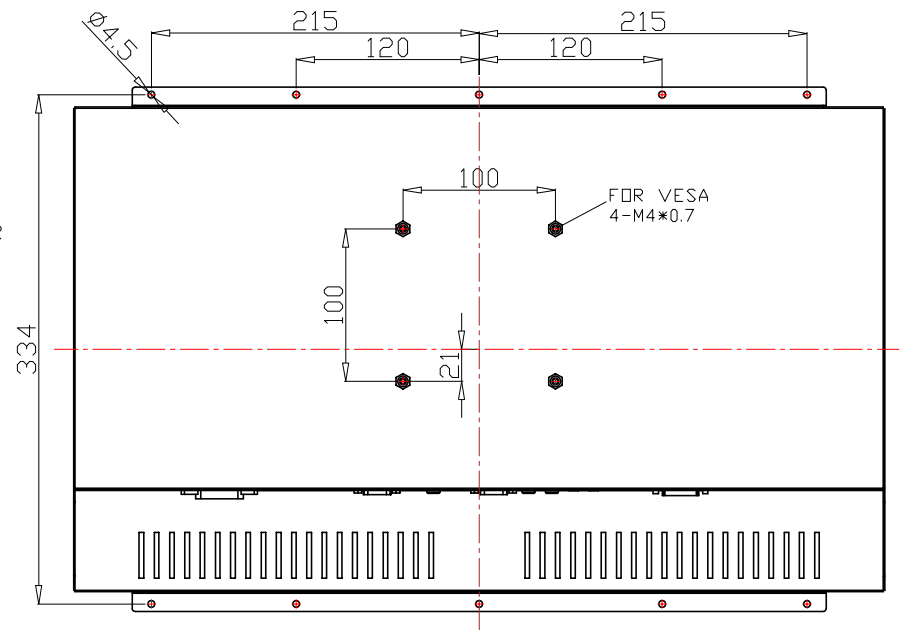
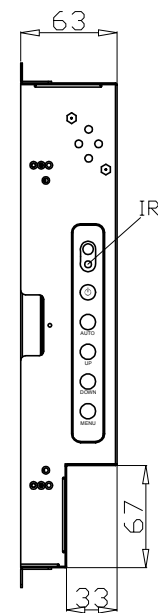
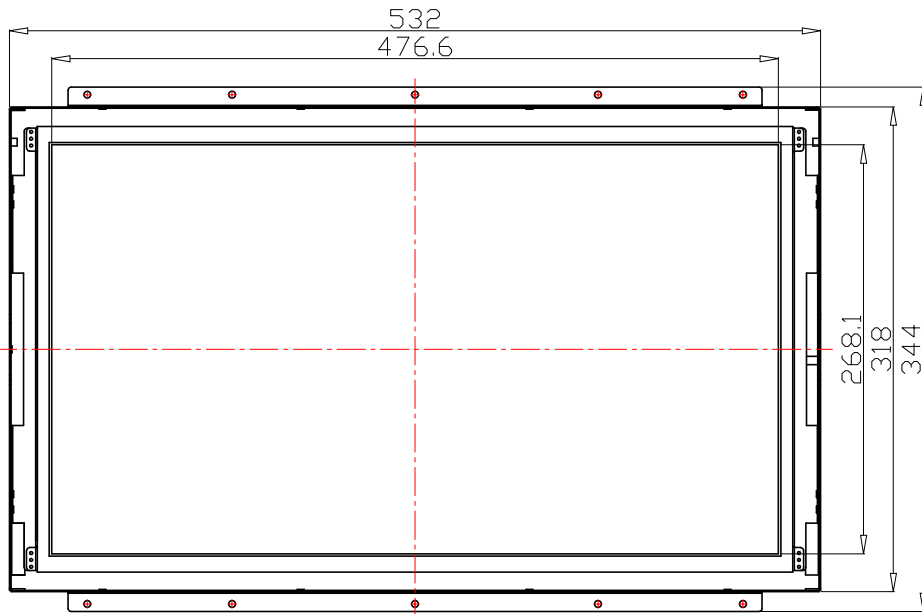
C

D



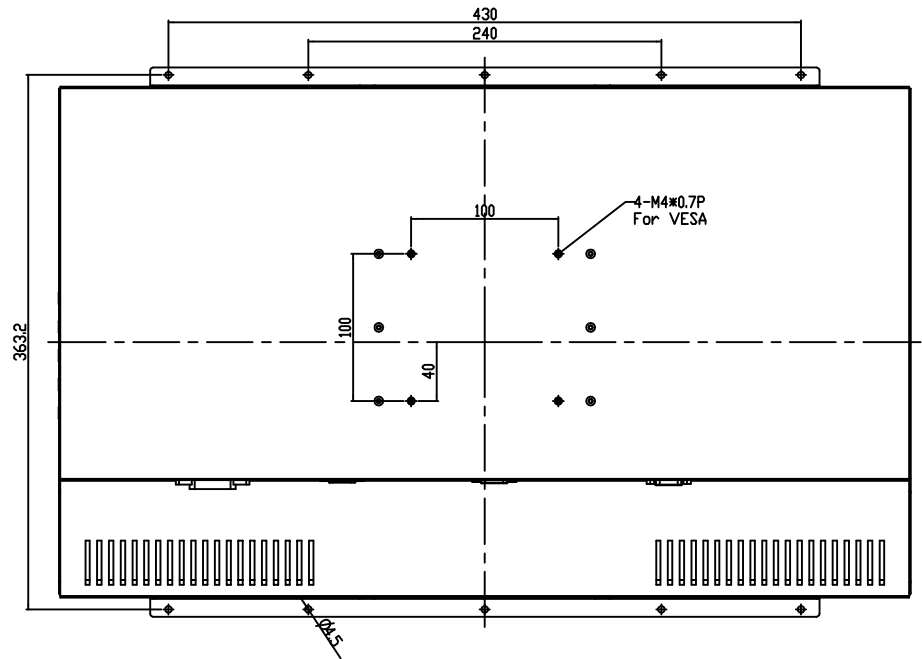
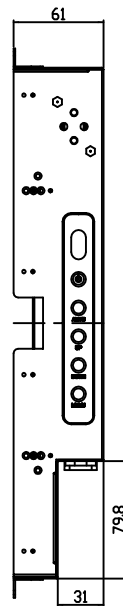
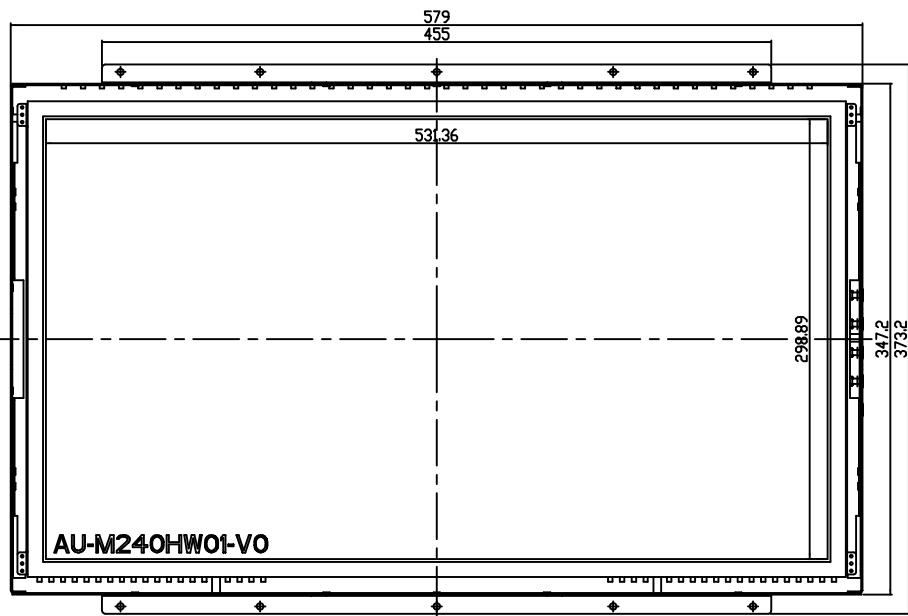
AD/BOARD		MODEL OF19W5			泓瑜科技有限公司 WINSONIC TECH. CO., LTD.					
INVERTER										
KEY PAD										
PANEL:	VERSION	MATERIAL	METAL	DATE	2012-Mar-13	PART NAME	ASSEMBLY			
	V1					APPROVED	DRAWN	Jack	SCALE	1.000
									UNIT	MM

1 2 3 4 5



AD/BOARD		MODEL	OF2155 / OF2165			泓瑜科技有限公司 WINSONIC TECH. CO., LTD.					
INVERTER											PART NAME
KEY PAD						VERSION	MATERIAL	DATE	APPROVED	DRAWN	Chris
PANEL:		V1	MATEL	2012-Aug-07							





AD/BOARD		MODEL	DF2405	泓瑜科技有限公司 WINSONIC TECH. CO., LTD.			
INVERTER		PART NO.					
KEY PAD		MATERIAL	METAL	DATE	2012-Aug-07	APPROVED	
PANEL:						DRAWN	Jack
						UNIT	MM

A

B

C

D

1

2

3

4

5

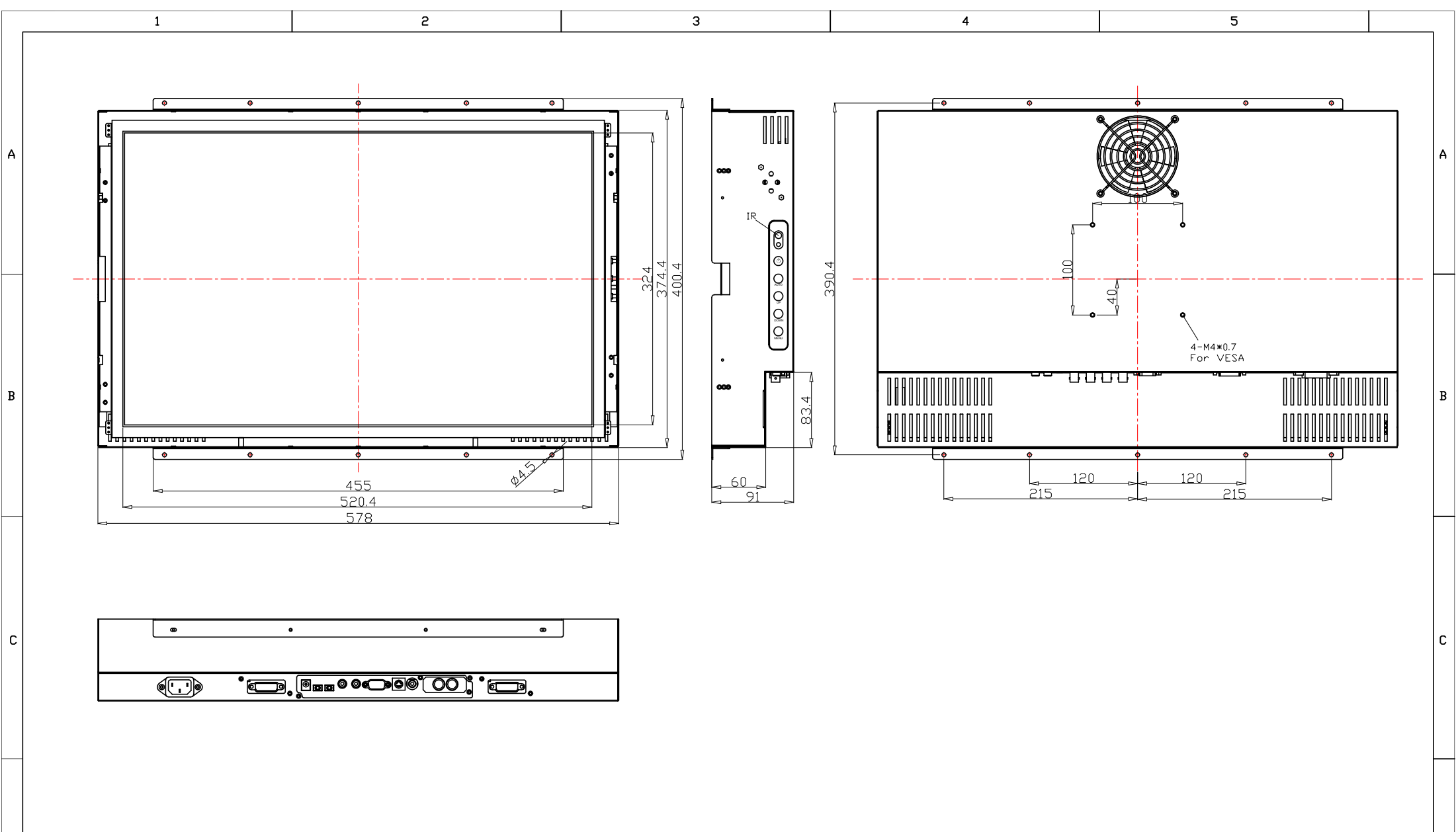
1

2

3

4

5



AD/BOARD		MODEL	OF2415		泓瑜科技有限公司 WINSONIC TECH. CO., LTD.						
INVERTER											PART NAME
KEY PAD					VERSION	MATERIAL	METAL	DATE	2012-Aug-07	APPROVED	DRAWN
PANEL:		V1									





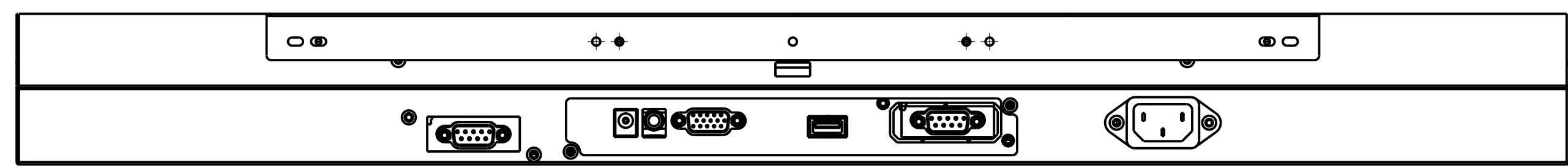
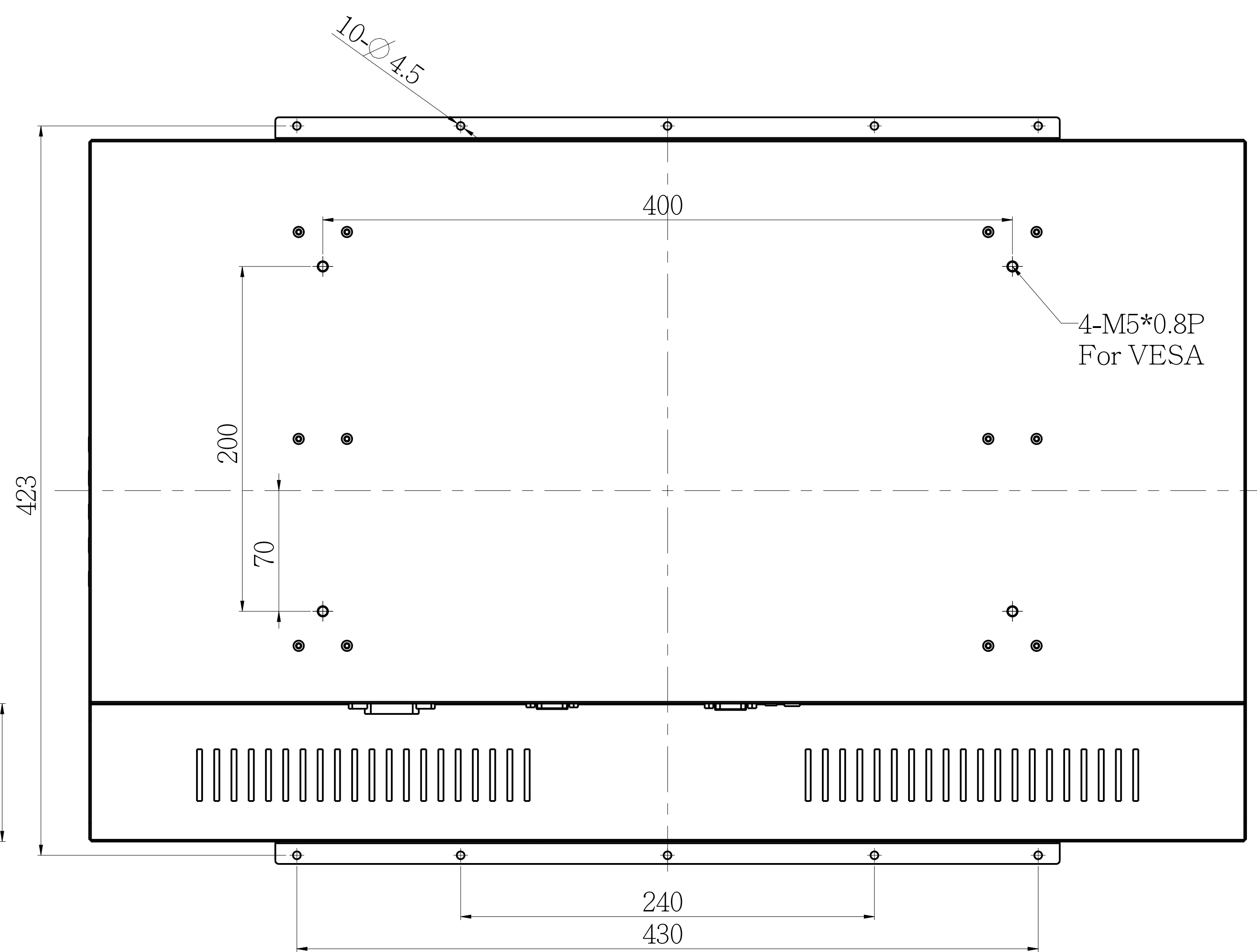
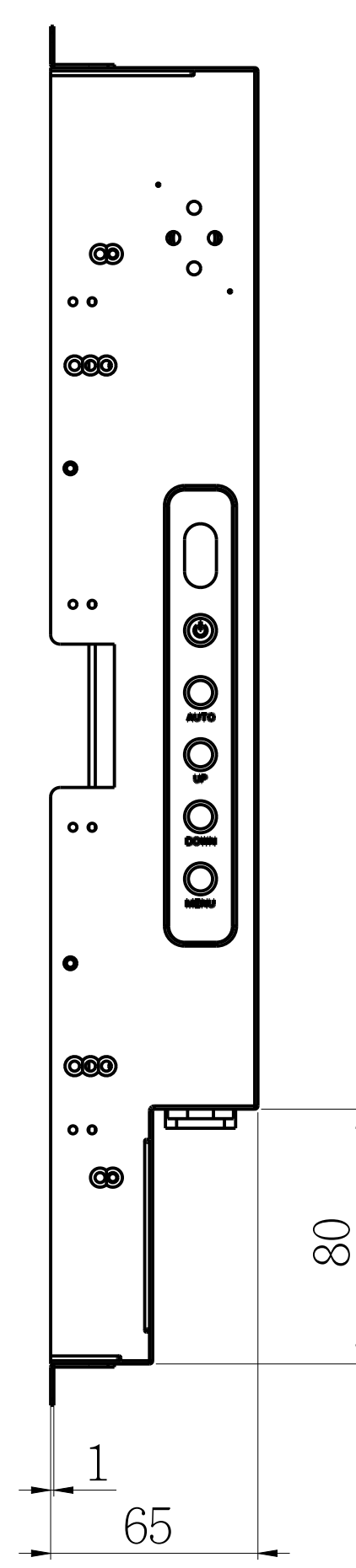
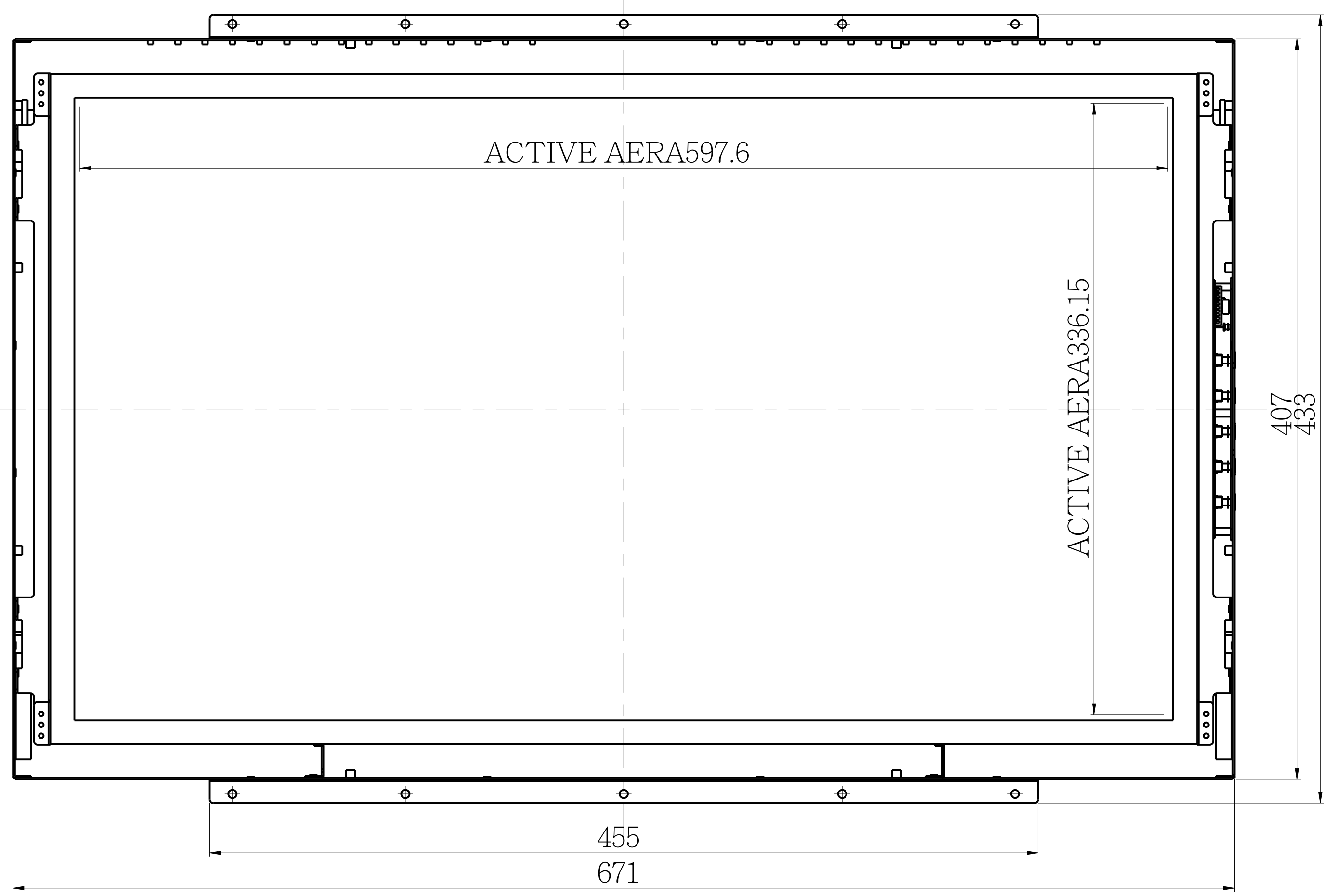
1 2 3 4 5

A

B

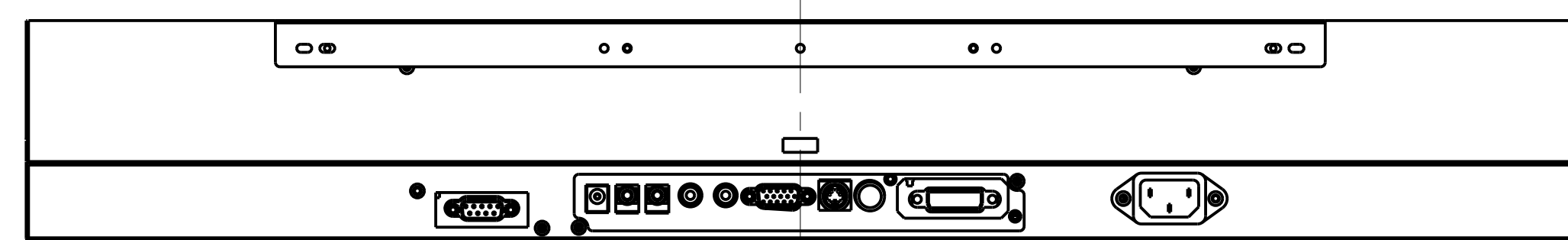
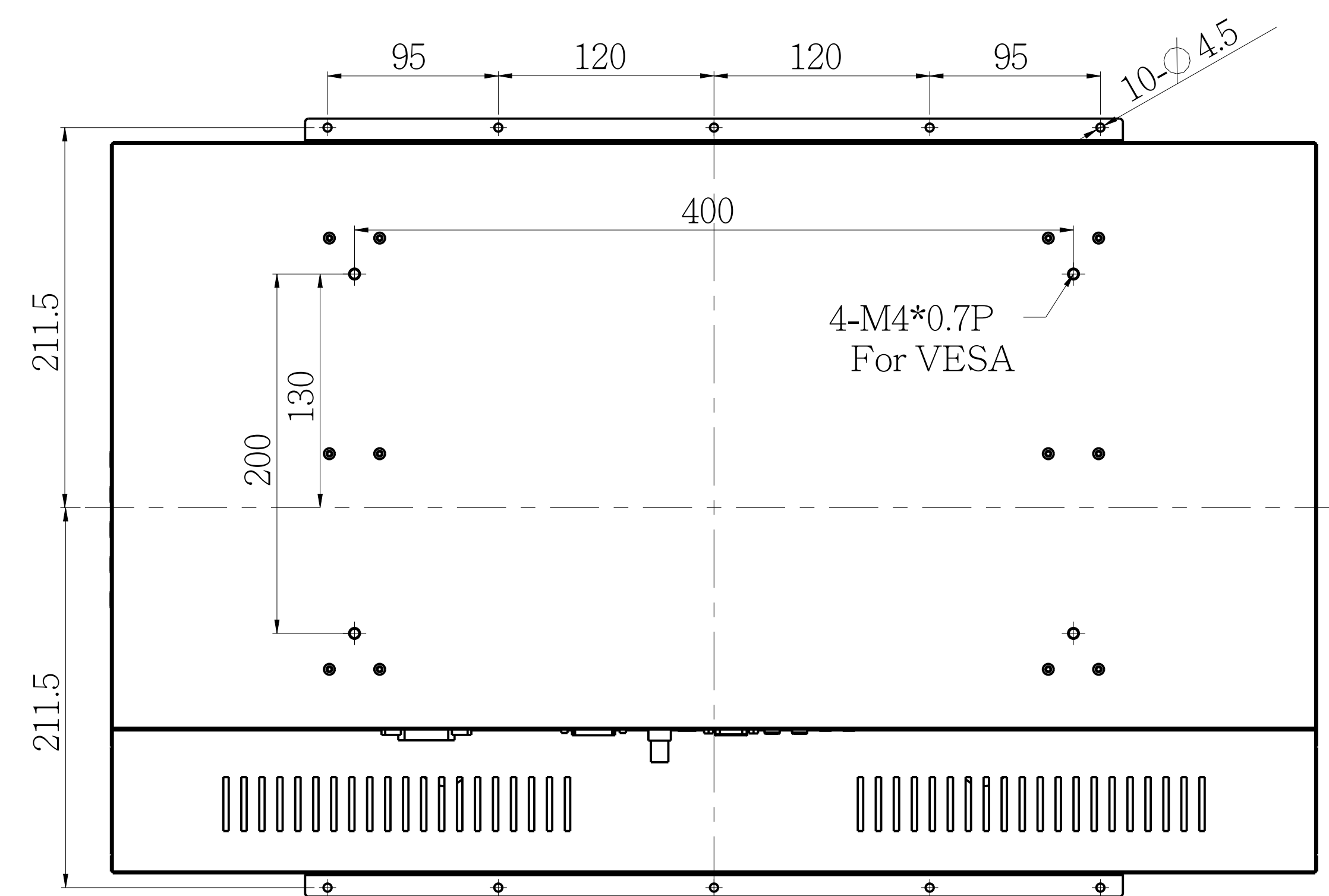
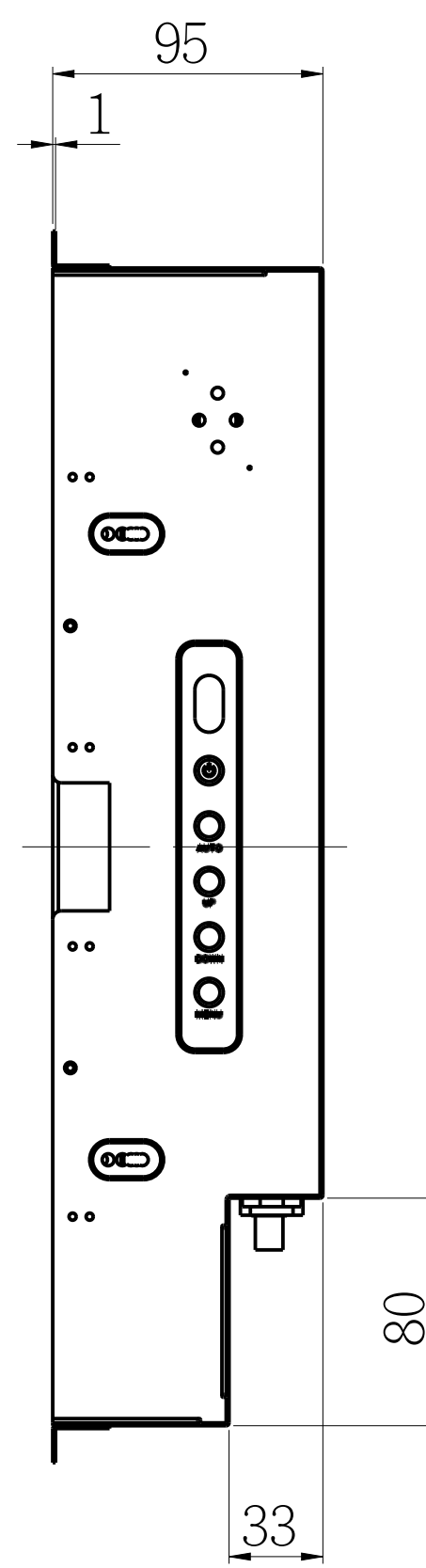
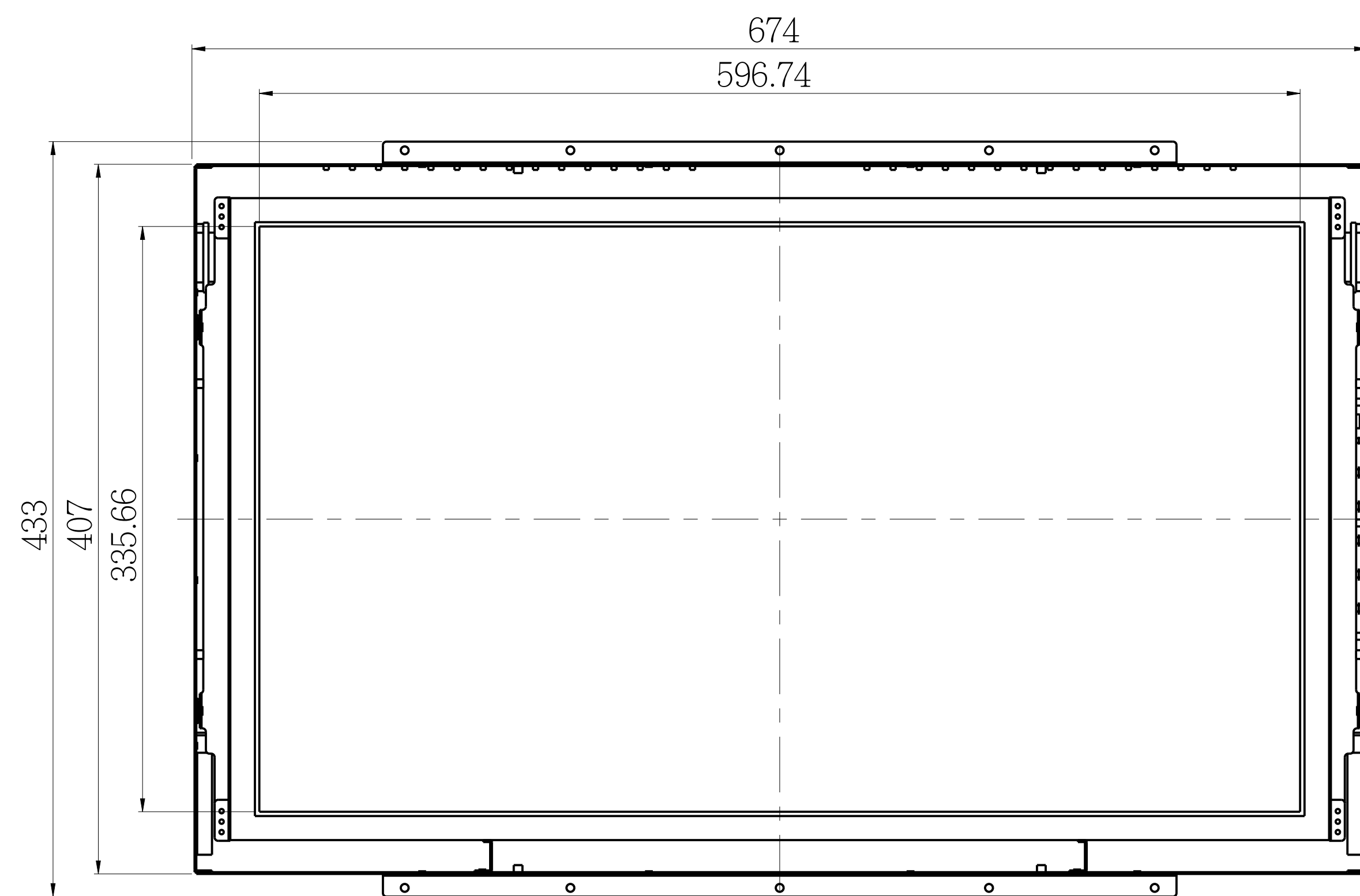
C

D



AD/BOARD		MODEL	OF2705			泓瑜科技有限公司 WINSONIC TECH. CO., LTD.				
INVERTER										
KEY PAD										
PANEL:	VERSION	MATERIAL	METAL	DATE	2012-Apr-10	PART NAME	ASSEMBLY			
	V1					APPROVED	DRAWN	Chris	SCALE	0.500

1 2 3 4 5



AD/BOARD		MODEL OF2725		泓瑜科技有限公司 WINSONIC TECH. CO., LTD.					
INVERTER								PART NAME	ASSEMBLY
KEY PAD		PART NO.		APPROVED		DRAWN	Chris	SCALE	0.400
PANEL:		MATERIAL	SECC	DATE	2011-Nov-23			UNIT	MM

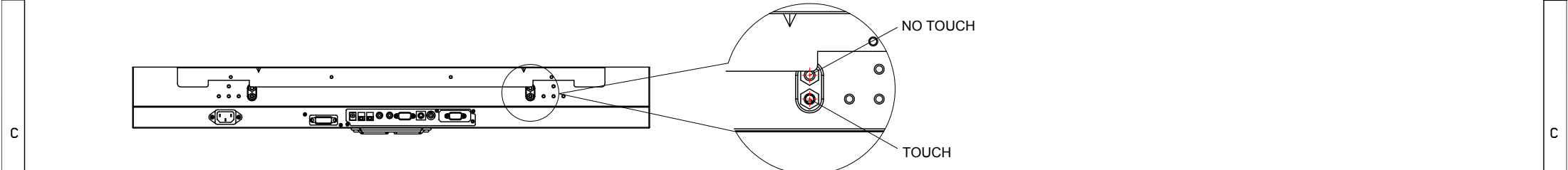
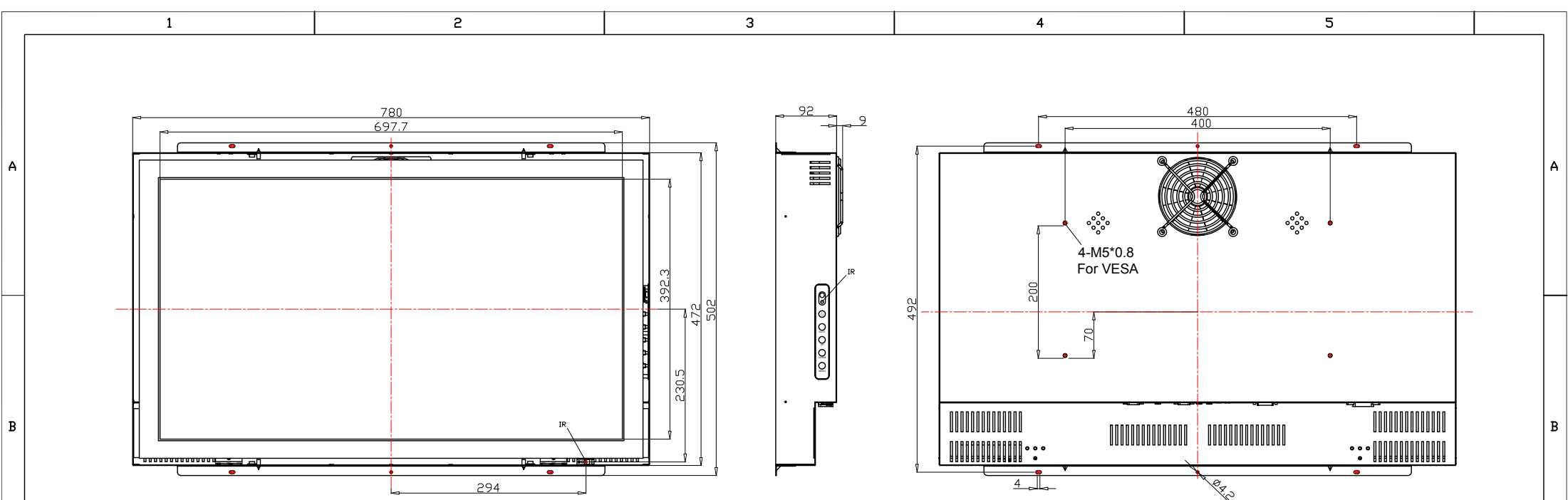
1

2

3

4

5



AD/BOARD		MODEL		OF3205v3		泓瑜科技有限公司 WINSONIC TECH. CO., LTD.							
INVERTER		PART NO.								PART NAME		Assembly	
KEY PAD		VERSION		MATERIAL		DATE		APPROVED		DRAWN		JACK	
PANEL:		V1		METAL		2012-Feb-10				UNIT		MM	
1		2		3		4		5		SCALE		1:1	
										UNIT		MM	